

Summit Series AIP150



150W RGLB IP65 LED Par

The Summit Series AIP-150 is a compact 150 Watt RGLB IP65 rated & convection cooled zoom par that is packed with a high feature set at an affordable price. This silent, compact luminaire weighs in at just 14 pounds / 6.5 kg, but features a powerful lumen output with a wide zoom range.

The AIP-150 compact, cast aluminum design allows for discrete luminaire placement while the Red, Green, Blue, Lime LED engine offers very high output of deep rich saturated colors as well as soft and delicate pastels. The AIP-150 replicates the soft output of a par wash light while maintaining a uniform beam output throughout the entire zoom range.

The AIP-150 offers a number of different control states from 8 Bit, 16 Bit, RGB, CMY, Compact and HSIC, modes allowing for a number of control choices. Popular gel colors are factory calibrated and custom color presets are available to program and store custom color mixes. This allows for quick selection of factory preloaded white points and the most widely used entertainment color choices.

The motorized zoom produces a beam spread between 7° and 65° with built-in stops at five different set points ensuring precise beam spread repeatability. This zoom can be set from either the back panel and locked out, or directly from the console.



Product Features

- RGLB LED Engine
- IP65 rated
- Lightweight, 15.20 lbs. (6.89kg)
- Available in Black, White and Custom
- Motorized zoom system 7° to 65° with built-in stops
- Patented Zoom Lock
- 100 to 240 VAC 50/60 Hz operation
- Seetronic PowerKON Power input and through connection
- Up to 30 Hz Strobe rate
- Compatible with DMX 512, and RDM protocols
- Eight different control settings
- Silent convection cooling
- Color calibration system
- Multiple dimming profiles
- Frequency Adjust Settings
- Amber Shift Settings
- Preset white select set point setting

cETLus (Pending) CE marked
Five (5) year and one (1) day warranty



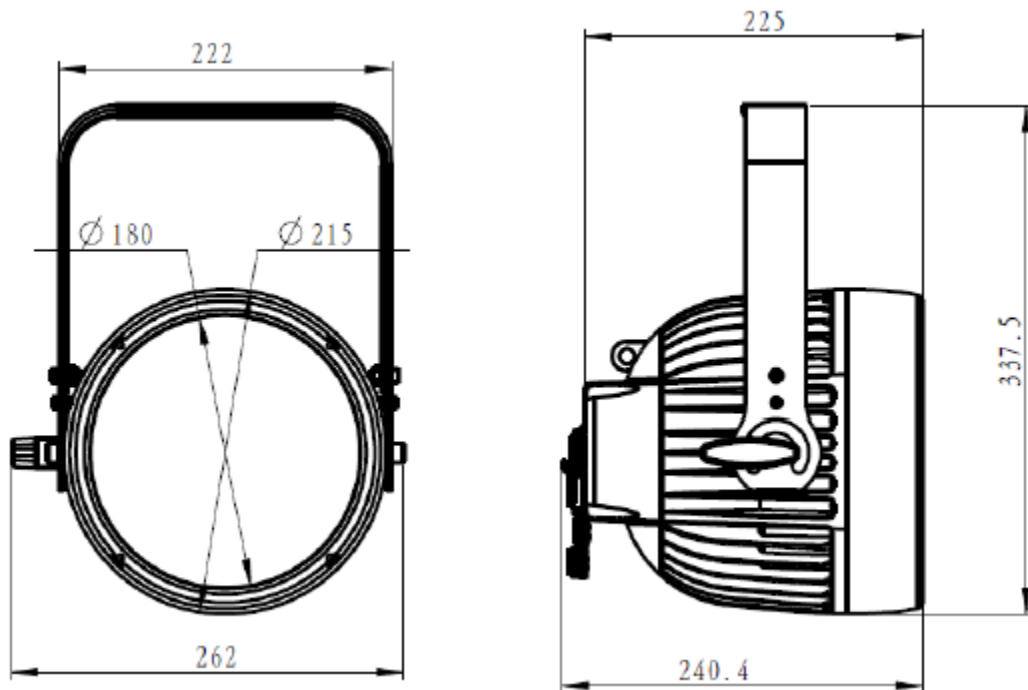
Summit Series AIP150

150W RGBL IP65 LED Par



Dimensions

Weight	Height	Length	Width
14.33lbs (6.5kg)	13.25in (337mm)	8.85" (225mm)	8.74in (222mm)



Summit Series AIP150



150W RGBL IP65 LED Par

Specifications

LED Source

LED Engine	6X30 Watt RGBL
Max Power Consumption	150 Watts
Rated LED Life:	Arrays are rated for >50,000 to L70
PWM (Pulse Width Modulation)	600hz to 25khz
Strobe	0-30HZ

Color

Color Used	RGBL
Color Temperature Range	2700K to 10000K
Dimming Curves	Linear, Incandescent and Standard
Tungsten Dimming Simulation	Off to 2500W
Color Calibration	Yes (On and Off Setting)

Optical

Zoom Range	7° to 65°
Aperture Size	7 1/2"
Zoom Lock	Patented Zoom Lock

Control and Programming

Input Connections	DMX512 via 5-pin XLR connector / Hardware via Terminal Block / Wireless
Protocols	DMX512/RDM
Modes	16bit Direct (15 DMX Channels) 16bit CMY (13 DMX Channels) 8bit Direct (10 DMX Channels) 8bit CMY (9 DMX Channels) RGB (5 DMX Channels) HSIC (10 DMX Channels) Compact Mode (6 DMX Channels) Compact with Zoom (7 DMX Channels)
RDM Configuration	Yes
User Interface	No Local UI. Configure the fixture via RDM
Presets	60 Preset Colors

Electrical

Voltage Range	100-240 VAC, 50/60 Hz
Input Connection	Seetronic Power Input and Through Connectors
Current Inrush	At 120 VAC, 50A (1/2 cycle) @25°C At 240 VAC, 40A (1/2 cycle) @25°C
Current Draw	1.25A @ 120VAC; 0.66A @ 230VAC
Power Factor	≥ 0.95
Quiescent Load:	6.05 Watts

Thermal

Ambient Operating Temp	0°-40° C (32°-104° F)
Fan	Convection Cooled
dB	N/A
BTUs/Hour	511.8 BTUs per hour

Construction

Materials	Corrosion-resistant materials and hardware
Color Options	Black, White or Custom
Mounting	Yoke
IP Rating	IP65
Weight	14.3lbs (6.5kg)

Warranty

Fixture	5 Years and 1 Day.
Support	Forever the life of the Product

Compliance

Compliance Marks	cETLus listed CE marked
Country of Origin	Assembled in the USA

Summit Series AIP150

150W RGLB IP65 LED Par



Ordering Information

Models

Model:	Wattage	Cable	LED:	Body Color:
AIP	150 - 150W	Blank - No Cable SCBE - Seetronic Power Cable to Bare End SCED - Seetronic Power Cable to Edison Connector	RGLB - Color Mixing	B - Black W - White C - Custom

Note: When ordering the fixture simply select an option from each column and that will produce your ordering part number .

Color: Fixture ship standard as Black. If White or Custom are required that could result in a longer lead time.

Included Items

AIP-150-RGLB-B	AIP-150 RGLB Fixture only.
AIP-150-SCBE-RGLB-B	5' 20A Seetronic PowerKon- Bare Ended Cable (SPK-BARE-12-5)
AIP-150-SCED-RGLB-B	5' 20A Seetronic PowerKon- 5' 20A Seetronic IP 65 to Edison Connector (SPK-PBG-12-5)

Accessories

Model:	Description:
510	Malleable Iron Clamp
515	Extruded Aluminum C-Clamp
SC-36-BK	36-Inch Black Safety Cable with Spring Clip
SS-SC-40-BK	40-Inch Stainless Steel Safety Cable with Spring Clip
CDP200-WIRELESS	Chalice 200 Wireless Kit
61-DMXCAT	DMXCAT DMX / RDM Setup Tool
DMX-5-TERM	XLR DMX Terminator

Power Input Cables

Model:	Connector Type:	Wire Size:	Length:
SPK - Seetronic IP65	BARE - Bare End Cable 2P&G - Stage Pin Male PBG - Edison Male TLG - L5-20 Twist Lock Male	12	5 - 5ft 10 - 10ft 25 - 25ft

Note: When ordering the Seetronic Power Cable simply select an option from each column and that will produce your ordering part number.

DMX Cables

Model:	Connector Type	Number of Pins:	Length:
XLR - DMX Cable	Blank - Indoor Use IP - Outdoor Use	5 - 5 pin DMX	5 - 5ft 10 - 10ft 15 - 15ft 25 - 25ft 50 - 50ft 100 - 100ft

Note: When ordering the XLR DMX Cable simply select an option from each column and that will produce your ordering part number.

