



Quick Start Guide

Pegasus 6 LED Fresnel



Preface

The document provides basic information on installation and operational instructions for a qualified, trained installer. These instructions provide information for the following product:

Pegasus 6 LED Fresnel

Additional product information can be found on our web site at www.altmanlighting.com or by scanning the QR code to the right.



Have a question regarding this manual?

The material in this manual is for information purposes only and is subject to change without notice. Altman Lighting assumes no responsibility for any errors or omissions which may appear in this manual. For comments and suggestions regarding corrections and/or updates to this manual, please visit the Altman Lighting web site at www.altmanlighting.com or contact your nearest [Altman Lighting Regional Manager](#).

El material en este manual es solo para fines informativos y está sujeto a cambios sin previo aviso. Altman Lighting no asume responsabilidad por errores u omisiones que puedan aparecer en este manual. Para comentarios y sugerencias sobre correcciones y/o actualizaciones a este manual, por favor visite el sitio web de Altman Lighting en www.altmanlighting.com o contacte a su Gerente Regional de Altman Lighting más cercano.

Der Inhalt dieses Handbuchs ist nur für Informationszwecke gedacht, Aenderungen sind vorbehalten. Altman Lighting uebernimmt keine Verantwortung für Fehler oder Irrtuemer, die in diesem Handbuch auftreten. FürBemerkungen und Verbesserungsvorschlaege oder Vorschlaege in Bezug auf Korrekturen und/oder Aktualisierungen in diesem Handbuch, moechten wir Sie bitten, Kontakt mit der naechsten Altman Lighting Niederlassung aufzunehmen.

Should you have a suggestion or question regarding your Altman Lighting product, we would love to hear from you.

You can reach us at:

Altman Lighting
1400 East 66th Ave.
Denver, CO. 80229
+1 (303) 500-7072
www.altmanlighting.com
customerservice@altmanlighting.com
support@altmanlighting.com
sales@altmanlighting.com

Note: Information contained in this document may not be duplicated in full or in part by any person without prior written approval of Altman Lighting Its sole purpose is to provide the user with conceptual information on the equipment mentioned. The use of this document for all other purposes is specifically prohibited.

Our Commitment

Altman Lighting continually engages in research related to product improvement. New materials, production methods and design refinements are introduced into existing products without notice as a routine expression of the philosophy. For this reason any current Altman Lighting product may differ in some respect from its published description, but will always equal or exceed the original design specifications unless otherwise noted.

Document Number: **49-0240**
Version as of: **2024 April 19th**

Pegasus 6 LED Fresnel Luminaire Quick Start Manual
© Altman Lighting 2024. All rights reserved.

Important Information

Product Safety Notices



When using electrical equipment, basic safety precautions should always be followed including the following:

1. READ AND FOLLOW ALL SAFETY INSTRUCTIONS.
2. Do not mount near gas or electric heaters.
3. Equipment should be mounted in locations and at heights where it will not readily be subjected to tampering by unauthorized personnel.
4. Operate only in approved environments. Do not operate outside unless product is designed to do so.
5. The use of accessory equipment not recommended by the manufacturer may cause an unsafe condition.
6. Do not use this equipment for other than intended use.
7. Refer service to qualified personnel.

SAVE THESE INSTRUCTIONS.

Warnings



WARNING: You must have access to a main circuit breaker or other power disconnect device before installing any wiring. Be sure that power is disconnected by removing fuses or turning the main circuit breaker off before installation. Installing the device with power on may expose you to dangerous voltages and damage the device. A qualified electrician must perform this installation.

WARNING: Refer to National Electrical Code® and local codes for cable specifications. Failure to use proper cable can result in damage to equipment or danger to personnel.

WARNING: This equipment is intended for installation in accordance with the National Electric Code® and local regulations. Before any electrical work is performed, disconnect power at the circuit breaker or remove the fuse to avoid shock or damage to the control. It is recommended that a qualified electrician perform this installation.

WARNING: This Lighting Fixture IS NOT for residential installation or use.

WARNING: The structure where fixture(s) is to be mounted must be capable of supporting the weight of the fixture and its accessories. This fixture is for temporary, portable mounting only.

WARNING: The light source contained in this luminaire shall only be replaced by the manufacturer or his service agent or a similar qualified person.

THIS PRODUCT MUST BE INSTALLED IN ACCORDANCE WITH THE APPLICABLE INSTALLATION CODE BY A PERSON FAMILIAR WITH THE CONSTRUCTION AND OPERATION OF THE PRODUCT AND THE HAZARDS INVOLVED.

CE PRODUIT DOIT ÊTRE INSTALLÉ SELON LE CODE D'INSTALLATION PERTINENT, PAR UNE PERSONNE.

CONSULT A QUALIFIED ELECTRICIAN TO ENSURE CORRECT BRANCH CIRCUIT CONDUCTOR. CONSULTER UN ÉLECTRICIEN QUALIFIÉ POUR VOUS ASSURER QUE LES CONDUCTEURS DE LA DÉRIVATION SONT ADÉQUATS.

FCC Notice

This equipment has been tested and found to comply with the limits for a Class A digital device, pursuant to part 15 of the FCC Rules. These limits are designed to provide reasonable protection against harmful interference when the equipment is operated in a commercial environment. This equipment generates, uses, and can radiate radio frequency energy and, if not installed and used in accordance with the instruction manual, may cause harmful interference to radio communications.

Operation of this equipment in a residential area is likely to cause harmful interference in which case the user will be required to correct the interference at his own expense.

Altman Lighting Product Warranty

Warranty Terms

Altman Lighting, Inc., a subsidiary of Altman Stage Lighting Company, Inc., herein referred to as Altman, warrants each new product (except for spare parts or products Altman does not manufacture) for a period of TWO (2) years from date of shipment to correct by repair or replacement any part defect due to faulty material or workmanship. Under these same terms products with an LED light source shall be warranted for a period of FIVE (5) years and One (1) day.

Altman warrants for NINETY (90) days any spare part it manufactures. On spare parts or products Altman does not manufacture, including, but not limited to, lamps, sockets, lenses, roundels, electronics, ignitors, ballasts, etc.; Altman will grant the same warranty given Altman by its vendors. Altman assumes no responsibility for damage or faulty performance caused by misuse, improper installation, careless handling or where repairs have been attempted by others. This warranty is in lieu of all warranties or guarantees expressed or implied and no representative or person is authorized to assume Altman any other liability with the sale of Altman's products.

Altman assumes no responsibility for damage or faulty performance caused by misuse, improper installation, careless handling or where repairs have been attempted by others.

This warranty is in lieu of all warranties or guarantees expressed or implied and no representative or person is authorized to assume Altman any other liability with the sale of Altman's products.

Warranty Service

The customer must receive a Return Material Authorization (RMA) number prior to return, return shipment must be visibly marked with the RMA number and the product must be returned (shipping prepaid) to the factory at:

1400 East. 66th Avenue
Denver, CO 80229 USA
+1-303-500-7072
support@altmanlighting.com

The return must be within THIRTY (45) days of receiving the RMA from Altman. Altman warrants for NINETY (90) days any spare part it manufactures. On spare parts or products Altman does not manufacture, such as lamps, sockets, lenses, roundels, electronics, ignitors, ballasts, etc. Altman will grant the same warranty given Altman by its vendors.

Table Of Contents

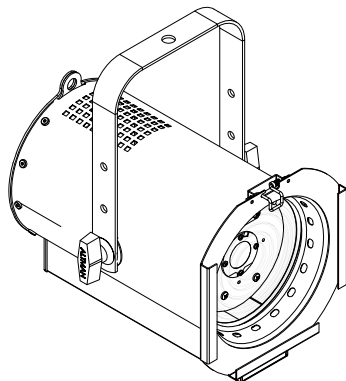
Important Information	3
Product Safety Notices	3
Warnings	3
FCC Notice	4
Altman Lighting Product Warranty	4
Warranty Terms	4
Warranty Service	4
Table Of Contents	5
Installation & Set Up	6
Overview	6
Components	6
Power Requirements	7
Connecting Power	7
Dimming Curve Switch	7
DMX / Mains Dim Switch	8
Daisy Chain Power and Data	8
Connecting DMX	8
DMX - XLR Connectors	8
Connecting to a Dimming Systems	9
C-Clamp Installation	9
Safety Cable Installation	9
Pegasus Accessory Holder	10
Pegasus Focus Setting	10
Yoke Assembly	10
Programming and Settings	11
Programming Buttons Overview	11
Setting DMX Address	11
Switching Between DMX Mode / Local Channel Control	12
Control / Receive Mode	12
Absence of DMX	13
DMX Termination:	13
Dimming Curve:	13
Locked / Unlock Mode	14
LCD Display Status Settings	14
Cleaning And Care	15
Routine Preventative Maintenance	15
Troubleshooting	16
Troubleshooting Guide	16
Specifications	17

Installation & Set Up

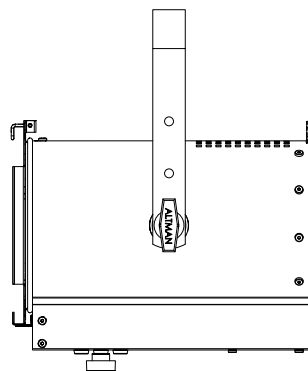
Overview

The Altman Pegasus 6 Fresnel is a 6-inch white output LED Fresnel that is both Mains Dimmable and DMX controlled all in one luminaire

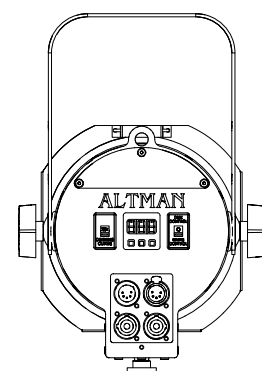
Components



Pegasus 6



Pegasus 6
Side



Pegasus 6
Rear

Models

Model:	LED Array: *	Body Color: **
PEG6PL - Pegasus 6	2K - 2700K White LED 3K - 3000K White LED 4K - 4000K White LED 5K - 5000K White LED	B - Black W - White C - Custom

Note: When ordering the fixture simply select an option from each column and that will produce your ordering part number.

Example - For the Pegasus 6 with an 3000K LED Array in Black, the part number would be PEG6PL-3K-B

Color: Fixture ship standard as Black. If White or Custom are required that could result in a longer lead time.

Custom Color: Consult factory for custom colors

Included Items

Model:	Description:
PEG6PL-*-**	Color Frame (6-CF), 36-inch Black Safety Cable (SC-36-BK), 5-foot 20A PowerCON with Edison Connector (PCL-PBG-12)

Accessories

Model:	Description:
510	Malleable Iron Clamp
515	Extruded Aluminum C-Clamp
SC-36-BK	36-Inch Black Safety Cable with Spring Clip
6-BD-4	4-Way Barn Door
6-SN	6in Snoot
ST-PTO	Smart Track (Eutrac) (120V, two circuit) to PowerCON - power only adapter with luminaire track mounting hardware (only in black)
ST-PDTP	Smart Track (Eutrac) (120V, two circuit) to PowerCON / 5-Pin XLR - Power and DMX adapter with luminaire track mounting hardware (only in black)
ST-STU-PTO	Smart Track (Stucchi) (120V, two circuit) to PowerCON - power only adapter with luminaire track mounting hardware (only in black)
ST-STU-PDTP	Smart Track (Stucchi) (120V, two circuit) to PowerCON / 5-Pin XLR - Power and DMX adapter with luminaire track mounting hardware (only in black)

Note: There are many aftermarket accessories for Altman Lighting products available through third-party suppliers. When considering these aftermarket accessories, we suggest that you consult with your Altman Regional Sales Manager beforehand regarding capability and effects on product performance.

Power Requirements



Before performing any field wiring, refer to and read the warnings contained in “Important Information” on page 3.



POWER CONNECTION - DMX CONTROL MODE: The PEGASUS Luminaire should be connected to either a constant circuit or relay device when in DMX mode. Note: Altman Lighting recommends that all Non-Dim circuits powering solid state luminaires are routinely powered down to both conserve energy and maximize luminaire performance.



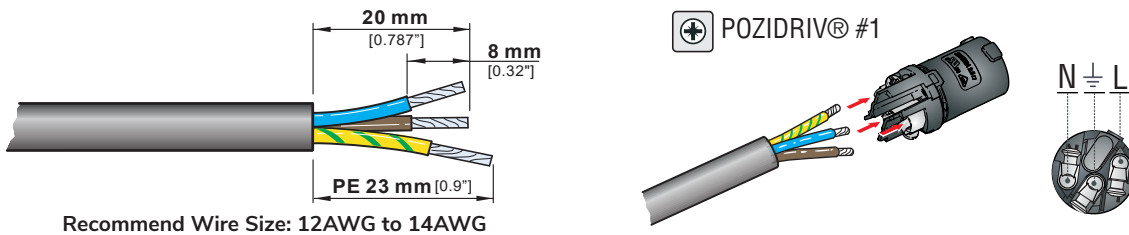
POWER CONNECTION - MAINS DIM CONTROL MODE: When PEGASUS is set to Mains Dim Mode the luminaire should be connected to a Phase cut dimmer either forward or reverse phase. Typical Phase Cut dimmers include SCR's (Silicon Controlled Rectifiers), IGBT's (Insulated Gate Bipolar Transistors), and TRI-AC dimmers). The Pegasus Luminaire operates on 120 to 230 volts AC (+/- 10%, auto-ranging). Depending on supply voltage, each luminaire can draw up to 130 Watts. The maximum through current should not exceed 20 Amps*.

Connecting Power

Units are powered via an AC input cable (unit ships with a 5ft PowerCon to Edison Cable) from 120 to 240VAC, 50/60Hz and draw approximately 130 Watts of power. Table 1, outlines the wire colors and their purpose.

Wire Color	Purpose
Brown or Black	Main / (L)ine
Blue or White	(N)eutral
Green/Yellow or Green	Ground / Earth

Table 1: AC Input Wiring



Recommend Wire Size: 12AWG to 14AWG

Figure 1: PowerCon Wiring Diagram

Dimming Curve Switch

The Pegasus 6 is supplied with a Dimming Curve Selection Switch. This can be found on the rear of the unit. This switch allows you to switch behind 115VAC or 220VAC.

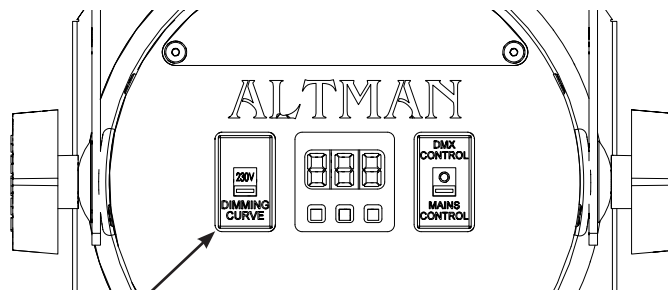


Figure 2: Dimming Curve Selection Switch

DMX / Mains Dim Switch

The Pegasus 6 is supplied with a DMX / Mains Dim Switch. This can be found on the rear of the unit. This switch allows you to switch behind DMX Mode and Mains Dim Mode.

NOTE: If switching between DMX CONTROL and MAINS CONTROL. Please remove power from Luminaire and Wait 10 Seconds before switching the luminaire to MAINS CONTROL.

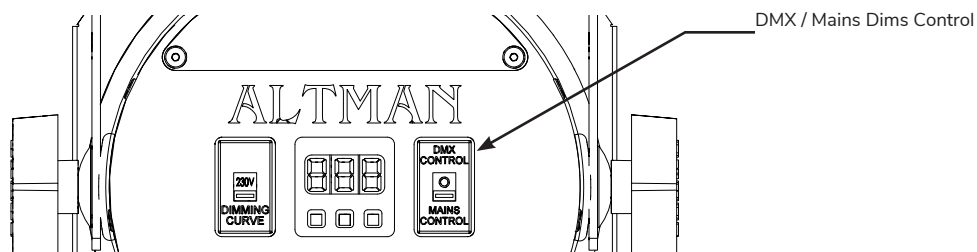


Figure 3: DMX / Mains Switch

Daisy Chain Power and Data

When daisy-chaining units, do not exceed the number of units as shown in the table below. Also, please make sure to read and understood the warnings contained in this section of the manual (“Power Requirements” on page 7.)

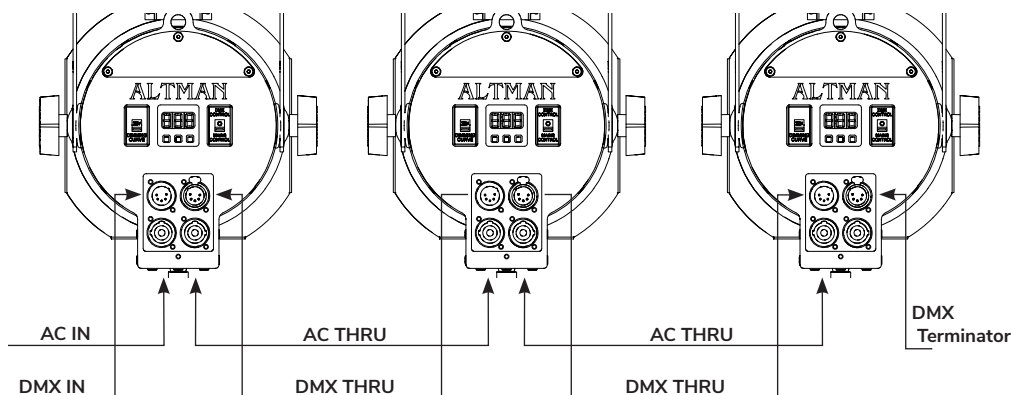


Figure 4: Daisy Chain Power and Data Diagram

Fixtures Per Circuit
10 (20A Power Thru Connector) Portable Units
DMX Data String
Max of 32 Total DMX devices per DMX string

Table 2: Daisy Chain Power and Data

Connecting DMX

The Pegasus 6 LED Fresnel offers two DMX512 connections. One for DMX Input (from a DMX source) and one DMX throughput (out). Basic DMX512 installation consists of connecting multiple DMX controlled Pegasus 6 LED Fresnel together (up to 32 Total devices per DMX string) in “daisy-chain” fashion. A cable runs from the DMX512 control source to the DMX INPUT connection on the first luminaire. From the DMX OUTPUT of the luminaire another cable runs to the DMX IN connector on the next luminaire (or DMX512 device to be controlled).

⚠ At the end of each DMX Daisy chain, it is highly recommended that a DMX TERMINATOR (Altman Lighting part number DMX-5-TERM) is installed on the last luminaire (or device) in the chain.

For more information on installing DMX512 control systems, the following publication is available for purchase from the United States Institute for Theatre Technology (USITT), “Recommended Practice for DMX512: A Guide for Users and Installers, 2nd edition” (ISBN: 9780955703522).

USITT Contact Information: www.usitt.org

DMX - XLR Connectors

The table to the right shows the pin-out and corresponding DMX signals for a 5-pin XLR connector.

DMX Signal	XLR Connector*
Common (Drain)	Pin 1
DMX -	Pin 2
DMX +	Pin 3
Not Used	Pin 4
Not Used	Pin 5

Table 3: DMX 5-PIN XLR Connector Wiring

Note: * Only those pins shown are used. Remaining pins on connectors are not used.

Connecting to a Dimming Systems

When Pegasus is set to Mains Dim Mode the luminaire should be connected to a Phase cut dimmer either forward or reverse phase. Typical Phase Cut dimmers include: SCR's (Silicon Controlled Rectifiers), IGBT's (Insulated Gate Bipolar Transistors), and TRIAC dimmers).

NOTE MAINS DIM CONTROL MODE: DO NOT CONNECT MORE THAN FOUR (4) PEGASUS FRESNELS TO THE SAME DIMMER. CONNECTING MORE THAN FOUR UNITS ON THE SAME DIMMER WILL RESULT UNDESIRE LOW END DIMMER RESPONSES.

The Pegasus Luminaire operates on 120 to 230 volts AC (+/- 10%, auto-ranging). Depending on supply voltage, each luminaire can draw up to 130 Watts. The maximum through current should not exceed 20 Amps*.

NOTE: PEGASUS must be set to MAINS CONTROL (switch on the back of the luminaire) to be controlled via a phase cut dimming system. Please select the dimming system dim curve for local voltage to either 115VAC or 220VAC. If switching between DMX CONTROL and MAINS CONTROL. Please remove power from Luminaire and Wait 10 Seconds before switching the luminaire to MAINS CONTROL.



Note: The PEGASUS Luminaire is intended for installation in accordance with the National Electric Code and local regulations. To assure full compliance with local codes and regulations, check with your local electrical inspector before installation. The PEGASUS Luminaire is not intended for residential use or installation.

C-Clamp Installation

The C-Clamp should be installed as shown in **Figure 5**. Only use the hardware supplied with the C-clamp.



NOTE: A 515 / 510 C-Clamp are sold separately

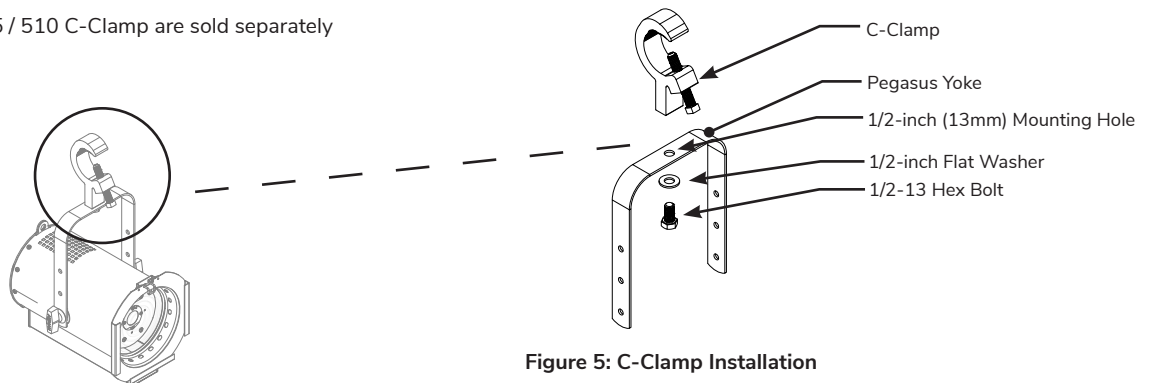


Figure 5: C-Clamp Installation

Installing the 515 C-clamp:

1. With luminaire on a flat, sturdy surface, position yoke assembly for easy access as illustrated in Figure 4.
2. Place on 1/2-13 hex bolt, in this order, the 1/2-inch lock washer and then the 1/2-inch flat washer.
3. Insert bolt into hole on yoke assembly.
4. Position c-clamp over bolt and thread bolt into c-clamp.
5. Tighten bolt.

Safety Cable Installation

The provided safety cable should be installed in accordance to local and national codes.



NOTE: The safety cable (supplied with unit) should be used and may be required by local and/or national codes when hanging this luminaire. The mounting structure must be capable of supporting the weight of the fixture, lens, cabling, any accessories, etc.

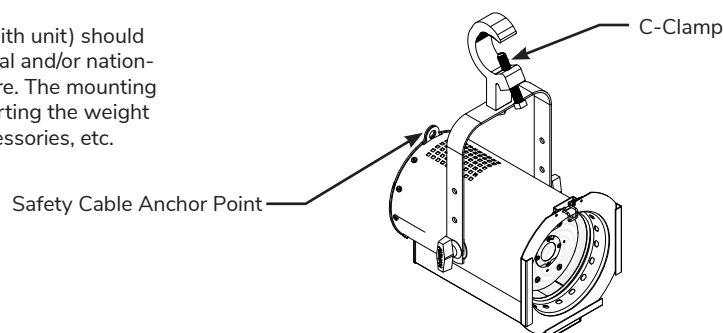


Figure 6: Safety Cable Installation

Pegasus Accessory Holder

Each Pegasus LED Luminaire is equipped with an accessory holder to hold the supplied color frame

Note: The accessory holder can also hold a 6inch Barndoor. Barndoor is sold separately.

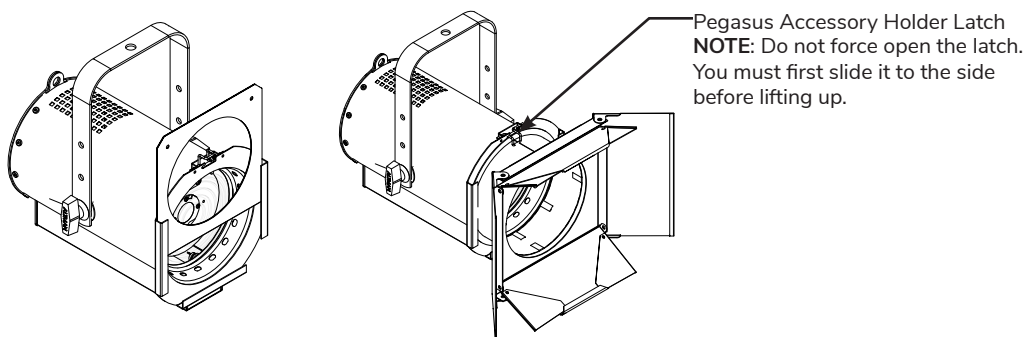


Figure 7: Accessory Holder Latching

Pegasus Focus Setting

Each Pegasus LED Luminaire is equipped with an Manual focus knob. By loosening and moving the LED Sled in Figure 8 you can set the fixture for 15 to 85 degree spot to flood beam spread.

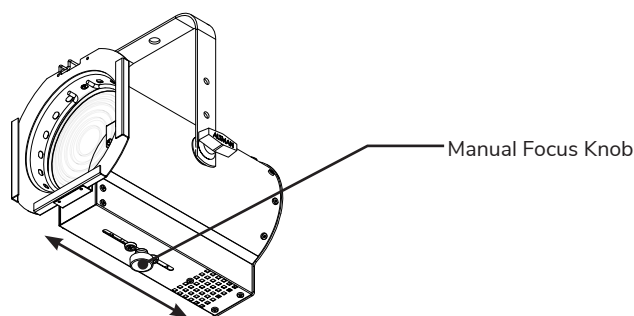


Figure 8: Focus Setting

Yoke Assembly

The Pegasus LED Luminaire can have its tilt adjusted via the two lock off handles on each side of the luminaire . Simple loosen (**DO NOT REMOVE**) each handle so the unit is able to swing up and down. Set tilt as desired and re-tighten the two lock off handles so the unit does not move from the set position.

Short Yoke Position

The yoke assembly has three sets of mounting holes to decrease the distance of the hanging position.

To reposition the yoke assembly to short yoke position:

1. With luminaire on a flat, sturdy surface, position Pegasus LED for easy access as illustrated in **Figure 9**.
2. At yoke tilt lock knobs, remove both tilt lock knobs and cup washers and associated hardware. Set aside for reinstallation.
3. Position yoke assembly so secondary mounting holes are aligned with fixture yoke mounting position.
4. Reinstall tilt lock knobs and cup washer in order removed in Step 2. Washer is positioned between handle and yoke assembly.

Pegasus LED Shown in Short Yoke Position

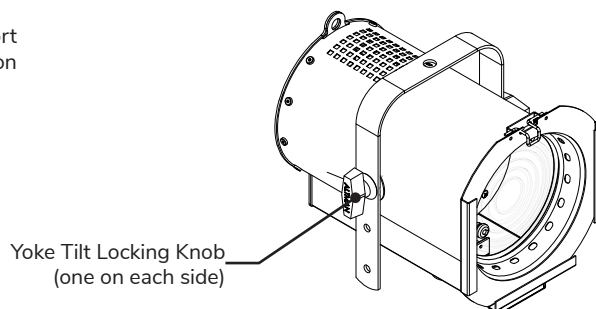


Figure 9: Yoke Setting

Programming and Settings

Programming Buttons Overview

Spectra Series Products offer three (3) buttons to program the fixture. With these three buttons, you can program or set. To activate the three digit display, press any of the three button. After 4 seconds of inactivity, the display will go blank.

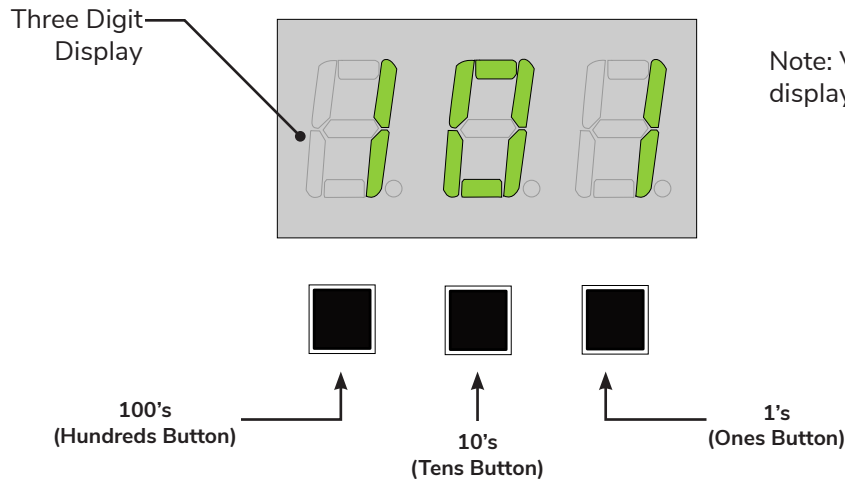


Figure 10: LED Screen and Buttons

The following settings can be set and modified from the Display Screen:

- DMX Address
- Absence of DMX
- Dimming Curve
- Local Control
- Control / Receive State
- DMX Termination
- Lock the Fixture (from unwanted changes after programming)

Setting DMX Address

To set the luminaire's DMX address, simply press the unit's three buttons (Figure 11) repeatedly (or press and hold and the numbers will sequence automatically) desired DMX address (1 through 512) appears on the display. After a few seconds after the last button press, the display will blink once quickly, and the address is set.

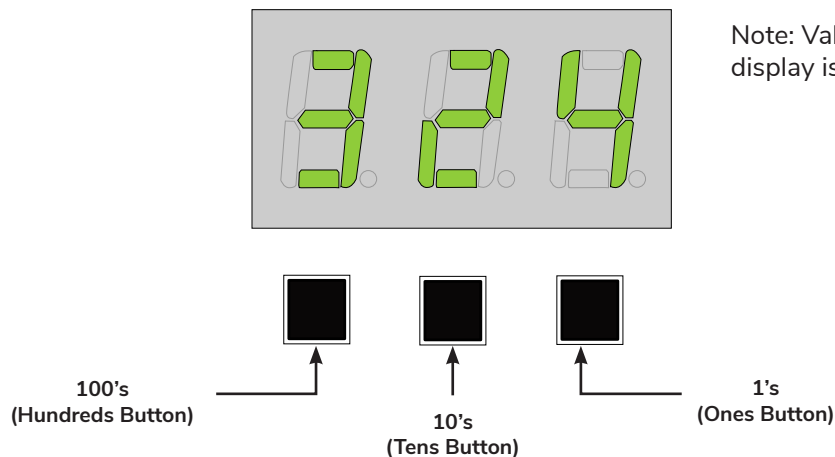


Figure 11: Setting DMX Address

Switching Between DMX Mode / Local Channel Control

DMX Mode

DMX Mode is used for Setting DMX Address, Absence of DMX, Dimming Curve and DMX Termination

Local Channel Control Mode

Local Channel Control is a special mode that allows you to manually control the output of the fixture

To Switch between Local Channel Control and DMX Mode:

1. Wait until the display goes blank
2. PRESS and HOLD [ONES] button
3. PRESS and HOLD [TENS] button.
4. RELEASE [ONES] button.
5. RELEASE [TENS] button.

NOTE: How to identify what mode you are in:

- **DMX Mode:** When in DMX Mode the screen will display 3 Digitals or the last set DMX Address. **Figure 12**
- **Local Channel Control Mode:** When in Local Channel Control Mode the display will display a "L" in the 100's column. Pressing the 1's and 10's button will cycle through 0 thru 9, which will allow you to set the level of the fixture from 0 to 99. **Figure 13**

NOTE:

- New fixtures from the Factory will be set to DMX Mode.
- DMX Mode and Local Channel Control Mode can only be set at the fixture and not through RDM.

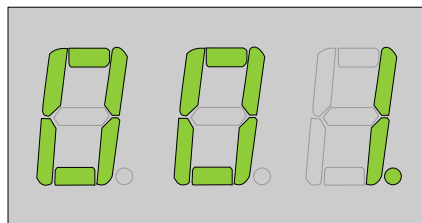


Figure 12: DMX Mode

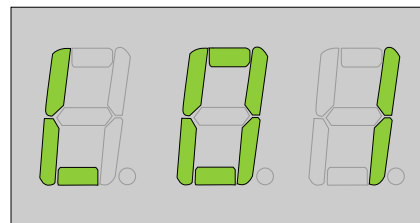


Figure 13: Local Mode

Control / Receive Mode

When in Standalone Mode the Pegasus can also enter into a Control State. The Luminaire will transmit its Preset level on DMX channel 1, so that it acts like a console to control the other units that are connected via DMX cable. If unit is in DMX mode, Control State will do nothing. NOTE: When using control state to control additional Luminaires, the additional units on the DMX lan must be in DMX mode and set to DMX Adr. 1.

When in Receive State (rEC), Unit only receives DMX, and if set to DMX channel 1, it will imitate the other unit that is set to Control State, if connected.

Note: Only one unit per DMX string should be set to Control State to avoid data conflict.

To Toggle between Control and Receive state, do the following button sequence:

Wait a few seconds until the display goes blank,

1. Press and hold the [HUNDREDS] button,
2. Press and hold the [ONES] button,
3. Release the [HUNDREDS] button,
4. Release the [ONES] button;

Once in Con State the ONES, TENS, & HUNDREDS Indicator will remain Lit. Display will blink and show Con (or rEC) for 4 seconds and then go to current mode display. [Default is Receive State]

Absence of DMX

When connected to a DMX network, if there is a loss of signal the following settings will effect the behavior of the Pegasus Luminaire upon signal loss. This mode can be programmed by entering a number greater than 900. There are four (4) different options upon the loss of signal.

Setting	Display	Description
901	OFF [00]	OFF (dimmed to 0%) [Default]
902	HLd [01]	Hold last look (retains last DMX level)
903	PrE [02]	Preset (Standalone Preset level)
904	FuL [03]	FULL on (100%)

Table 4: Absence of DMX Setting

Setting the Absence of DMX:

1. Press programming buttons until desired setting appears (refer to **Table 4**).
2. Wait a few seconds and a conformation display will appear with a question mark (P) in the hundreds digit and the Personality in the next two digits as illustrated in **Figure 10**. This is to confirm (or reject) the Personality shown.
 - To accept new Personality, press [ONES] button.
 - To reject new Personality, press [HUNDREDS] button.
3. After setting or rejecting Personality, luminaire display will show current DMX address.

DMX Termination:

Pegasus is supplied with a programmable DMX terminator built into the luminaire. In a DMX system it is recommended that the luminaire that is at the end of the DMX Daisy-chain is terminated using a 120 OHM resistor.

Setting	Display [RDM]	Description
998	--- [0]	Termination ON
999	---- [1]	Termination OFF

Table 5: DMX Termination

Setting the DMX Termination:

1. Press programming buttons until desired setting appears (refer to **Table 5**).
2. Wait a few seconds and a conformation display will appear with a question mark (P) in the hundreds digit and the Personality in the next two digits as illustrated in **Figure 10**. This is to confirm (or reject) the Personality shown.
 - To accept new Personality, press [ONES] button.
 - To reject new Personality, press [HUNDREDS] button.
3. After setting or rejecting Personality, luminaire display will show current DMX address.

Dimming Curve:

Pegasus will replicate one of three programmed dimming curves replicating linear and incandescent dimming.

Setting	Display	Description
601	P01 [0]	Linear
602	P02 [1]	Incandescent Fade 1
604	P03 [2]	Incandescent Fade 2 (fast Bottom)

Table 6: Dimming Curve

Setting the Dimming Curve:

1. Press programming buttons until desired setting appears (refer to **Table 6**).
2. Wait a few seconds and a conformation display will appear with a question mark (P) in the hundreds digit and the Personality in the next two digits as illustrated in **Figure 10**. This is to confirm (or reject) the Personality shown.
 - To accept new Personality, press [ONES] button.
 - To reject new Personality, press [HUNDREDS] button.
3. After setting or rejecting Personality, luminaire display will show current DMX address.

Locked / Unlock Mode

The luminaire can have its buttons disabled or locked so unwanted changes cannot be made.

To Lock or Unlock the Fixture Buttons:

1. Wait until the display goes blank
2. PRESS and HOLD [ONES] button
3. PRESS and HOLD [HUNDREDS] button.
4. RELEASE [ONES] button.
5. RELEASE [HUNDREDS] button.
6. Display will briefly show LOC (or UNL for Unlock) Indicate Locked Mode is Enable.

NOTE: Locked Mode only affects the luminaire's buttons. The unit can still be addressed and changed via a RDM device.

LCD Display Status Settings

Display goes completely blank after 4 seconds, except :

- If in DMX Mode and DMX signal is detected; then: [ONES] decimal point will stay lit
- If in Standalone Mode, and Receive State; then: [TENS] and [ONES] decimal point will stay lit;
- If in Standalone Mode, and Control State; then: [HUNDREDS], [TENS] and [ONES] decimal point will stay lit.

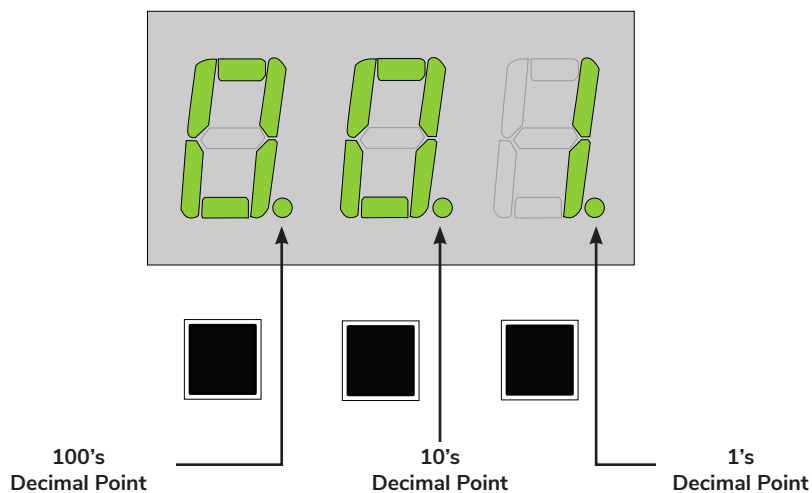


Figure 14: LCD Display Status

Cleaning And Care



WARNING! All cleaning should be performed with power completely removed from the luminaire. Never remove protective covers when luminaire is powered. Wear appropriate protective eye wear and gloves when cleaning the fixture. All service and maintenance, other than described herein, should be performed by a qualified technician or Authorized Service Center. **AT NO TIME SHOULD THE LED BE TOUCHED.**

Being a solid-state fixture, and unlike most fixtures, the Pegasus LED Luminaire requires very little routine maintenance by the user. This section covers portions of the luminaire that can be removed for cleaning.

The Pegasus LED Luminaire requires special care when it comes to cleaning the front reflector assembly. Additional care needs to be taken with the plastic components because they are much easier to scratch or damage than glass.

The following is a list of cleaning materials required to care for your Pegasus LED Luminaire:

- Lint free lens tissue
- Lint or powder free gloves
- Reagent grade isopropyl alcohol*
- A mild soap solution.



Reagent grade isopropyl alcohol is good to use on the Pegasus LED Luminaire plastic optics with anti-reflection coatings.

If the lens is still dirty after using isopropyl alcohol, for instance if fingerprints or oil is just redistributed and not cleaned off the optic, then a mild soap and water solution can be used to gently wash the lens. Repeat the cleaning with isopropyl alcohol to eliminate streaks and soap residue.



Under no circumstances should ammonia-based cleaners, acetone, or other harsh solvents be used on or near the Pegasus LED Luminaire. These types of cleaners or solvents can permanently damage the optics or housings of the fixture. If you have any questions regarding the use or care of your Pegasus LED Luminaire, please contact Altman Lighting technical support or your local Authorized Dealer.

If you have any questions regarding the use or care of your Pegasus LED Luminaires, please contact Altman Lighting technical support at support@altmanlighting.com or your local Authorized Dealer.

Routine Preventative Maintenance

Regular routine maintenance should be performed at least twice a year. Additional inspections and cleaning may be necessary and more often depending upon the environment and hours of use of each luminaire.

1. Turn off luminaire and allow to cool completely.
2. Check for excessive dust or debris in the heat sink area of the luminaire
3. Wipe and remove all debris, dirt, dust from the cooling fins (a can of clean compressed air can be used to blow out from one side of the luminaire to the other.



Do not blow dust into the open cavity of the Pegasus Luminaire.

NOTE: keeping these components clean will facilitate efficient cooling and extend LED life. Using a second lint-free lens tissue, wipe off any alcohol residue.

Troubleshooting

Troubleshooting Guide

The chart below provides possible causes and remedies for various error messages and/or symptoms. If this chart is unable to address your issue, please contact your authorized dealer or Altman customer service for assistance.



Any service and maintenance (including troubleshooting), other than described herein should be performed by an Authorized Altman Lighting Dealer or Service Center.

Description	Issue	Possible Cause/ Remedy
No light output.	"Fixture will not produce or output light and connected to power. Internal LED is illuminated."	<ul style="list-style-type: none"> • "Unit Setting is at 0% local control... Unit Setting is at 0% DMX control..." • Set intensity level above 0% or adjust to a higher intensity."
LOW light output.	Fixture produces low light output and connected to power.	<ul style="list-style-type: none"> • Controller fade pot set to 0, turn local control to 100%. • Check to see what the Dimming Curve switch is set to on the Rear of the unit. If its set for 230V and the fixture is power with 120V it will only produce half the light output
Fixture will not power on	Luminaire does not power up	<ul style="list-style-type: none"> • Circuit not energized...verify circuit breaker is turned on. • Not plugged in...ensure A/C cable is connected to power source. • Power cable wired incorrectly...verify power cable and connector are wired correctly. See "Connecting Power" on page 7 for more information." • Does the LCD Screen come on when in DMX Mode? If it does it could be a DMX address problem • Unit could have a bad Power Supply. Contact Altman Tech Support or a local Altman Dealer
DMX data control issues.	Fixture will not respond to DMX commands.	<ul style="list-style-type: none"> • "Not detecting DMX data... Disconnect and reconnect DMX input cable. • Unit is not set to proper DMX address - check settings. • Check all DMX connections (at control source and luminaire). DMX data cable not wired correctly or • Has a broken conductor... check DMX data cable for proper wiring. See "Connecting to the DMX" on page 8 for more information." • Does the fixture have the 1's Decimal point on the screen. If the decimal point is not on then the unit doesn't see DMX
Imperfections in light beam.	Beam appears fuzzy, distorted, low intensity, etc.	<ul style="list-style-type: none"> • Check lens for dirt, obstructions, cracks or chips, shutter positions, etc.
No RDM control.	Luminaire does not respond to RDM commands.	<ul style="list-style-type: none"> • Unit is Local Mode. See page 12 Switching between DMX Mode / Local Control Mode. • Turn off or disable control network's auto discovery. Check all DMX connections (at control source and luminaire). • DMX data cable not wired correctly or has a broken conductor... check DMX data cable for proper wiring. See "Connecting to the DMX" on page 8 for more information."

Specifications

Specifications

LED Source

LED	LED Chip Available in 2700K, 3000K, 4000K, or 5000K
Max Power Consumption	130W
LED Refresh Rate	Array rating >50,000 hours to L70
Beam Lumens	>10,758 Lumens, LED and lens position dependent
CRI	>90

Color

Color Temperature Range	2700K, 3000K, 4000K, or 5000K
Dimming Curves	Linear, Incandescent Fade

Optical

Zoom Range	15 to 85 degree spot to flood beam spread
Aperture Size	6in

Control and Programming

Input Method:	High resolution digital dimming for both Mains Dimmable and DMX control
Protocols:	DMX / RDM
Modes:	DMX or Mains
RDM Configuration:	Yes (DMX Mode)
User Interface:	Yes (DMX Mode)
Mains Dim:	For fixtures that are mains dim controlled, do not connect more than four (4) luminaires to the same dimmer. Connecting more than four luminaires to the same dimmer will result in undesired low-end dimmer response. Note: dimmer must be sized appropriately to handle the luminaire load.

Electrical

Voltage Range	100-240 VAC 50/60 Hz
Input Connection	PowerCon In and Thru
Current Inrush	15Apk Max 1/2 cycle @230VAC
Fixtures Per Circuit	DMX: Up to 7 Units at 120VAC* Up to 12 units at 230 VAC* Mains Dim: 4 Per Dimmer
Wattage	130 Wattage
Current Draw	1.25A at 120VAC / 0.65A at 230VAC
Quiescent Load	12 Watts (DMX Mode Only)

Thermal

Ambient Operating Temp	0 - 40°C (32 - 104°F) with humidity of 5-95% non-condensing
Fan	Active, fan
dB	<19dBa @ 0.5m
BTUs/Hour	443.56 BTU per Hour

Construction

Materials:	Corrosion-resistant materials and hardware
Color Options:	Black, White or Custom
Mounting:	Yoke
IP Rating:	IP20

Warranty

Fixture:	5 Years and 1 Day.
----------	--------------------

Compliance

Compliance:	cETLus listed for indoor use
-------------	------------------------------