

| Included Items | |
|----------------|-------------------------------|
| Part Numbers | Descriptions |
| 6-CFB | Color Frame 7-1/2"x7-1/2" |
| SC-36-BK | Safety Chain- 1/8" Dia X 36" |
| PCL-PBG-12-5 | 5' 20A PowerCON from Parallel |

* Note: 515 or 510 C-Clamp are sold separately

| Pegasus 6 Part Numbers | |
|------------------------|----------------------|
| Part Numbers | Descriptions |
| PEG6PL-2K-* | 6" LED Fresnel 2700K |
| PEG6PL-3K-* | 6" LED Fresnel 3000K |
| PEG6PL-4K-* | 6" LED Fresnel 4000K |
| PEG6PL-5K-* | 6" LED Fresnel 5000K |

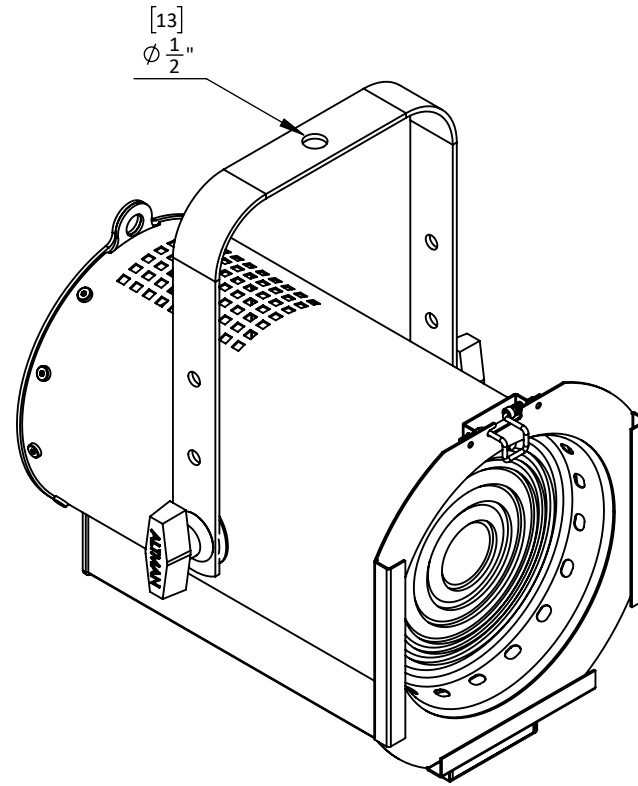
* When Ordering you will use B (Black), W (White) or C (Custom)

ALTMAN
LIGHTING
1400 East 66th Avenue.
Denver, CO 80229
www.AltmanLighting.com
+1-303-500-7072

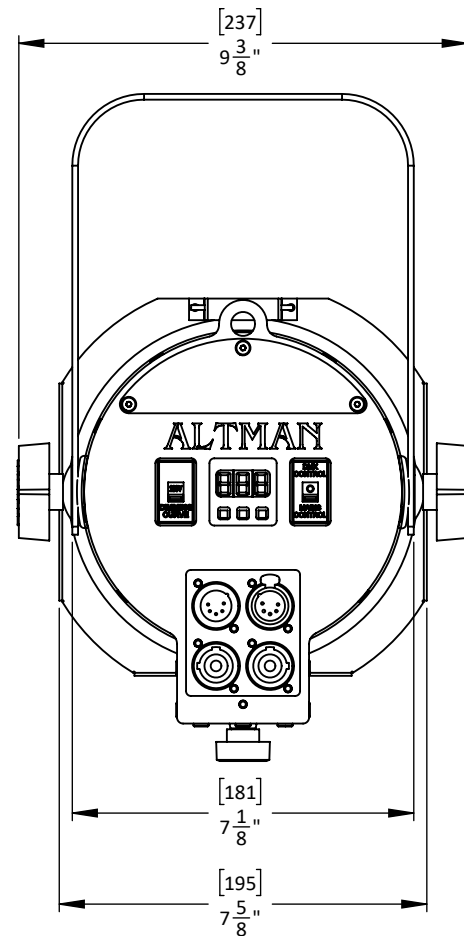
PART NO: PEG6-***
DRAWN BY: MP
DATE: 4/29/2024
SCALE: 1:4

PRODUCT: Pegasus 6
6in LED Fresnel

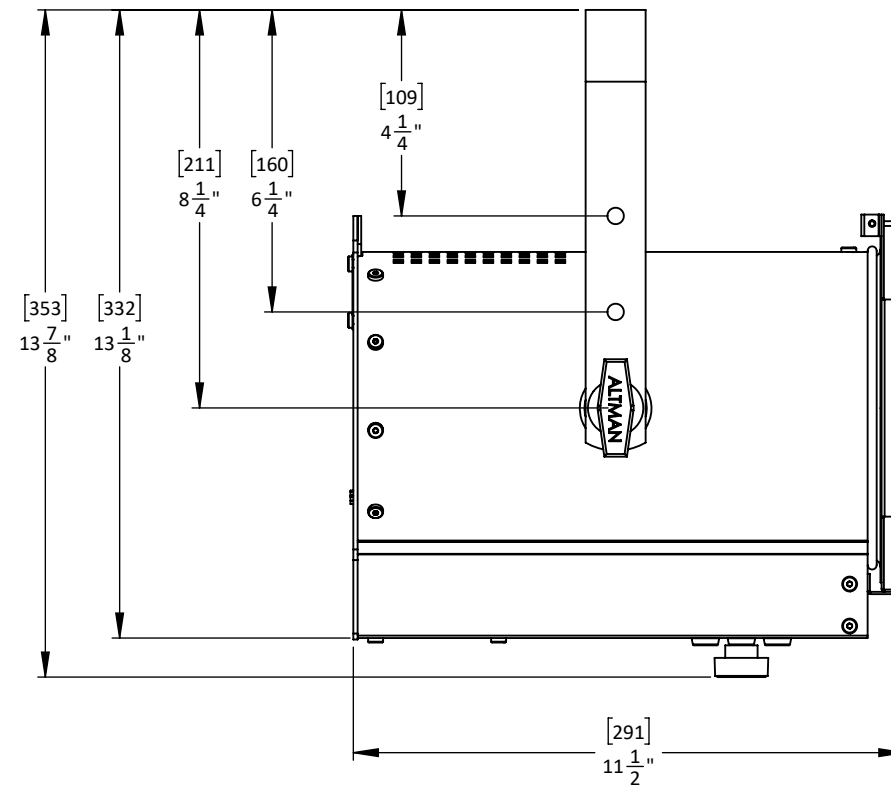
REV: DATE: NOTE:



Rear View



Side View



Front View

