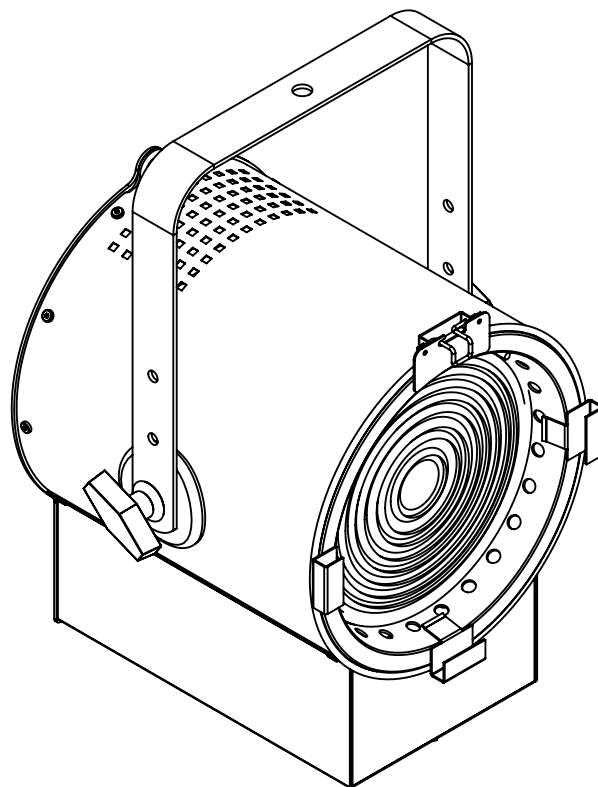


| Included Items | |
|----------------|--------------------------------|
| Part Numbers | Descriptions |
| 8-CFB | Black Color Frame 10"x10" Flat |
| SC-36-BK | Safety Chain- 1/8" Dia X 36" |
| PCL-PBG-12-5 | 5' 20A PowerCON to Male Edison |

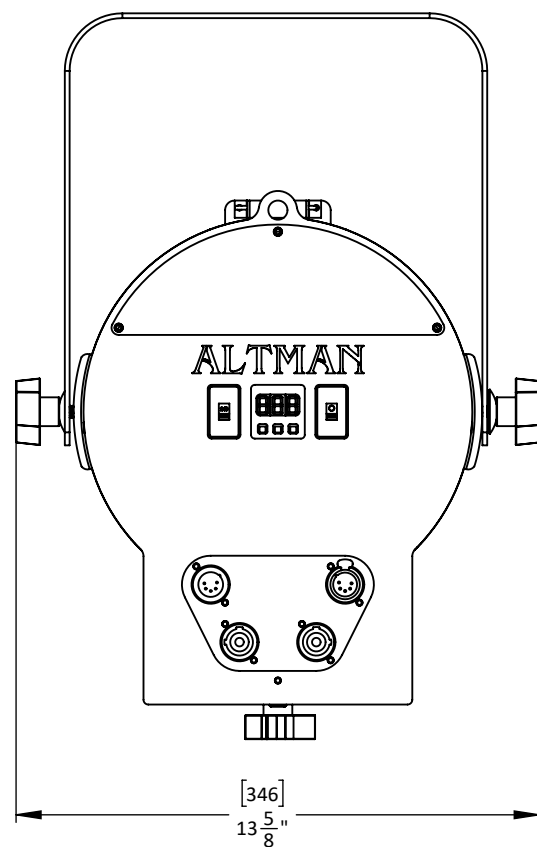
* Note: 515 or 510 C-Clamp are sold separately



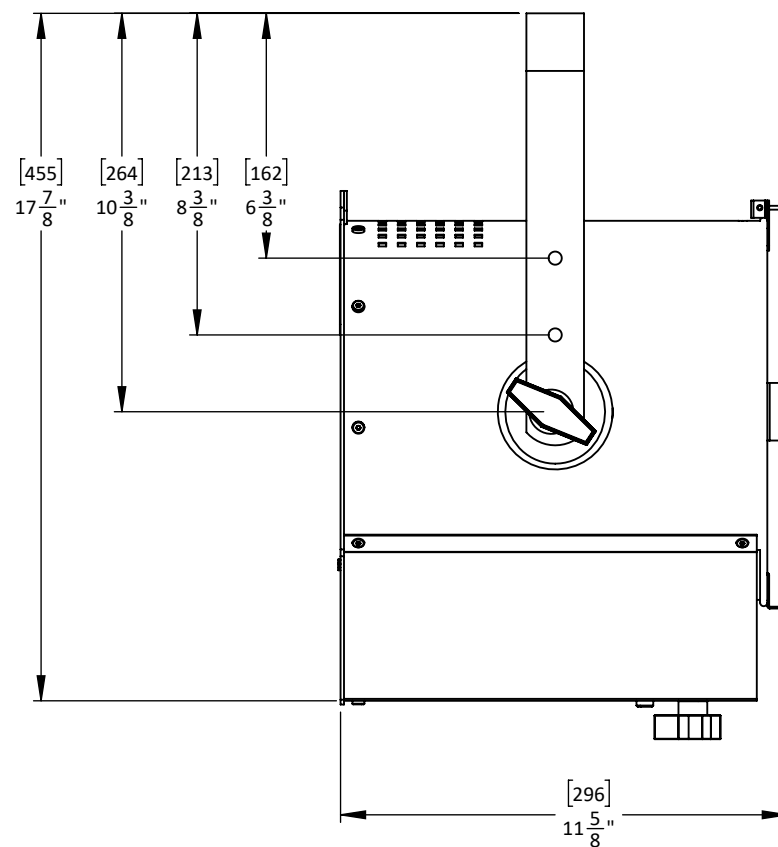
| Pegasus 8 Part Numbers | |
|------------------------|-------------------------------|
| Part Numbers | Descriptions |
| PEG8PL-2K-* | 8" LED Fresnel with 2700K LED |
| PEG8PL-3K-* | 8" LED Fresnel with 3000K LED |
| PEG8PL-4K-* | 8" LED Fresnel with 4000K LED |
| PEG8PL-5K-* | 8" LED Fresnel with 5000K LED |

* When Ordering you will use B (Black), W (White) or C (Custom)

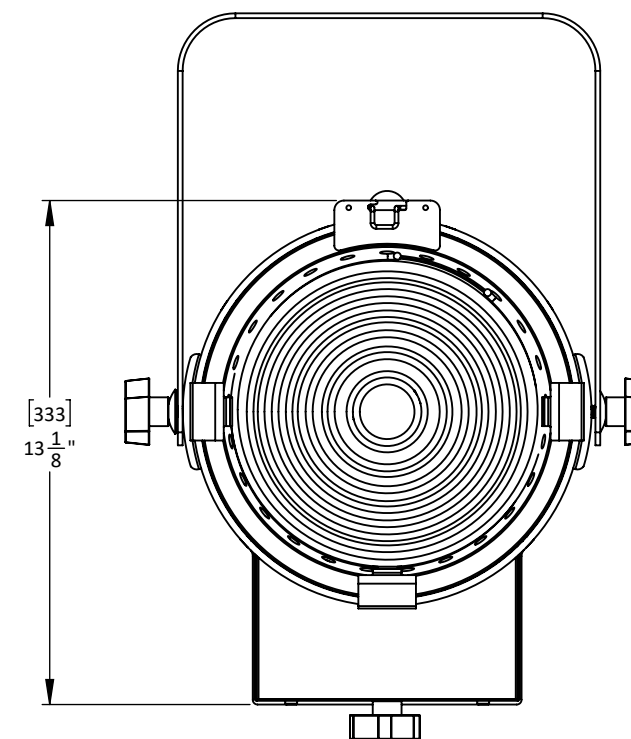
Rear View



Side View



Front View



ALTMAN
LIGHTING
1400 East 66th Avenue.
Denver, CO 80229
www.AltmanLighting.com
+1-303-500-7072

PART NO:
DRAWN BY: MP
DATE: 4/29/2024
SCALE: 1:5

PRODUCT: Pegasus 8
8" LED Fresnel

| | | |
|------|-------|-------|
| REV: | DATE: | NOTE: |
| | | |