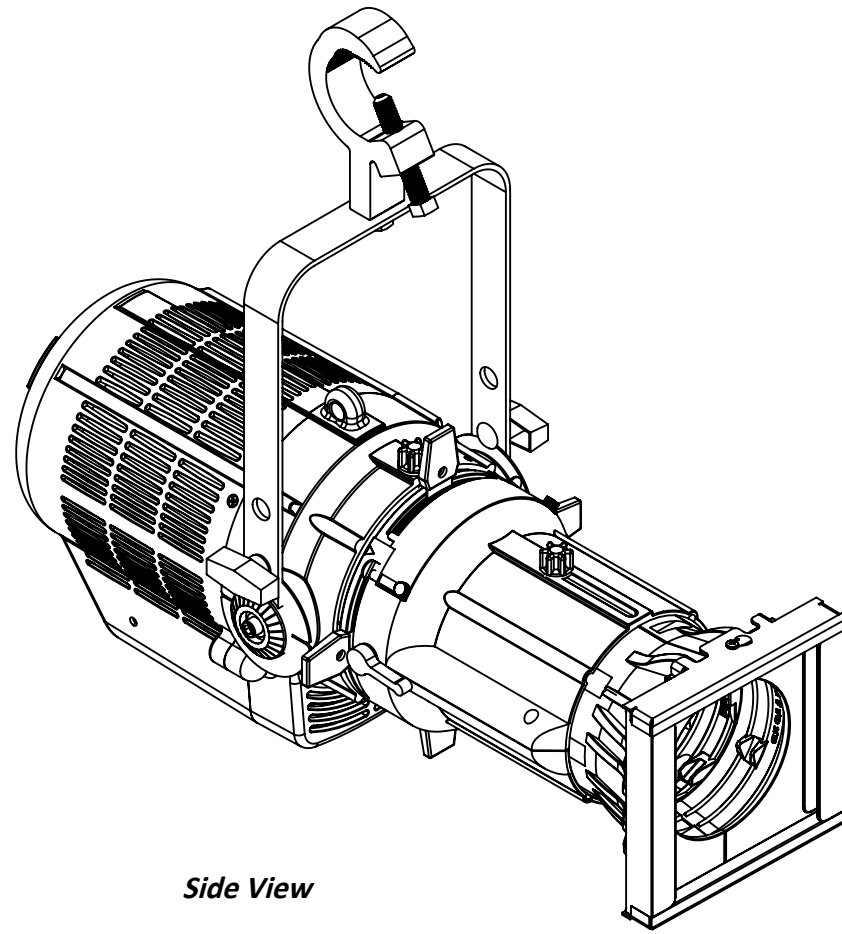


Included Items	
Part Numbers	Descriptions
4.5-CFB	Color Frame 6-1/4"x6-1/4",
SC-36-BK	Safety Chain- 1/8" Dia X 36"
PCL-PBG-12-5	5' 20A PowerCON from Parallel
PHX-SFLGSA	PHX Soft Focus Lens - A Size Pattern Holder

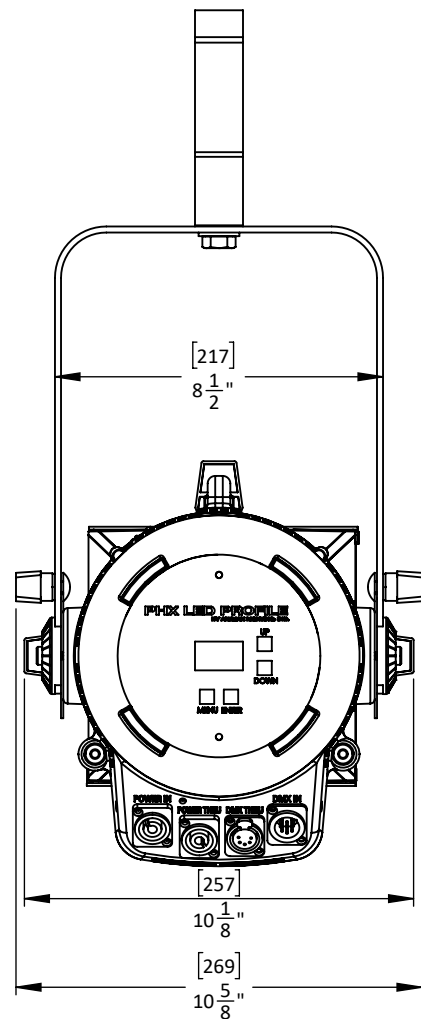
* Note: 515 or 510 C-Clamp are sold separately



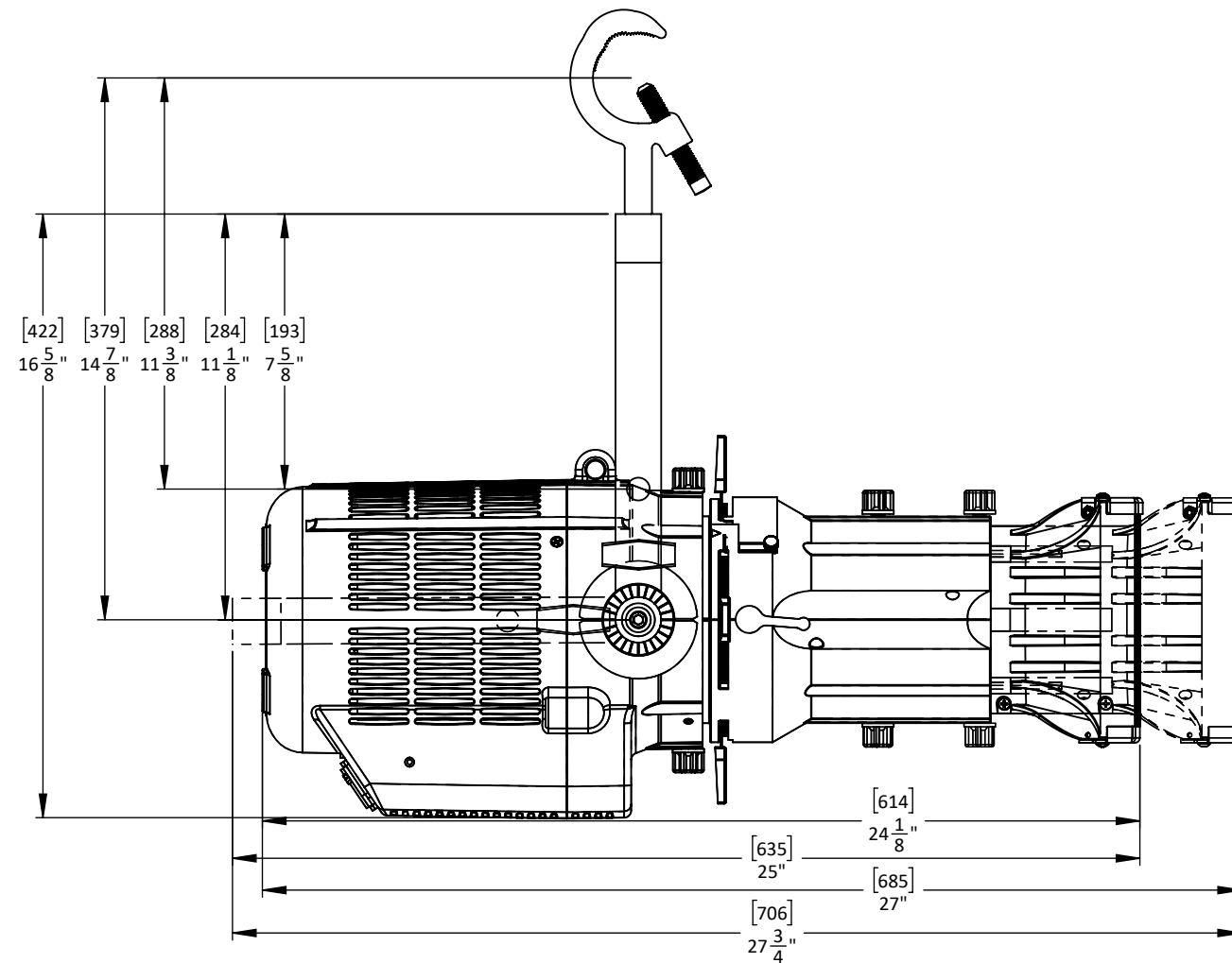
PHX3.5 Part Numbers	
Part Numbers	Descriptions
PHX3.5-RGBL-19-*	19° PHX 350W LED RGBL
PHX3.5-RGBL-26-*	26° PHX 350W LED RGBL
PHX3.5-RGBL-36-*	36° PHX 350W LED RGBL
PHX3.5-RGBL-50-*	50° PHX 350W LED RGBL

* When Ordering you will use B (Black), W (White) or C (Custom)

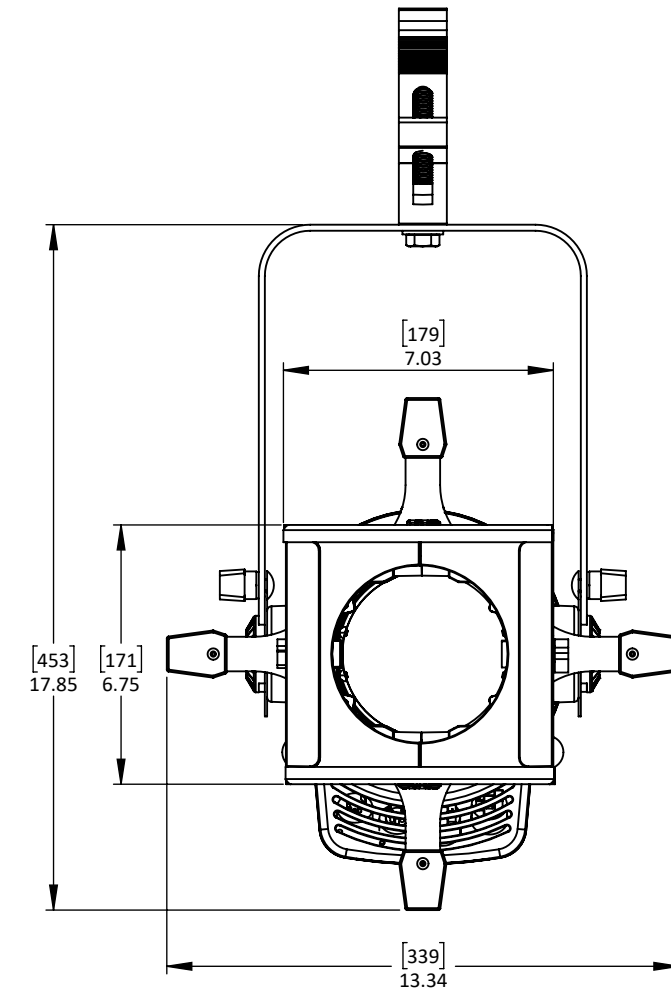
Rear View



Side View



Front View



ALTMAN
LIGHTING
1400 East 66th Avenue,
Denver, CO 80229
www.AltmanLighting.com
+1-303-500-7072

PART NO: PHX3.5-RGBL-***
DRAWN BY: MP
DATE: 2/19/2024
SCALE: 1:5

PRODUCT: PHX 3.5 RGBL
Fixed Profile

REV: DATE: NOTE: