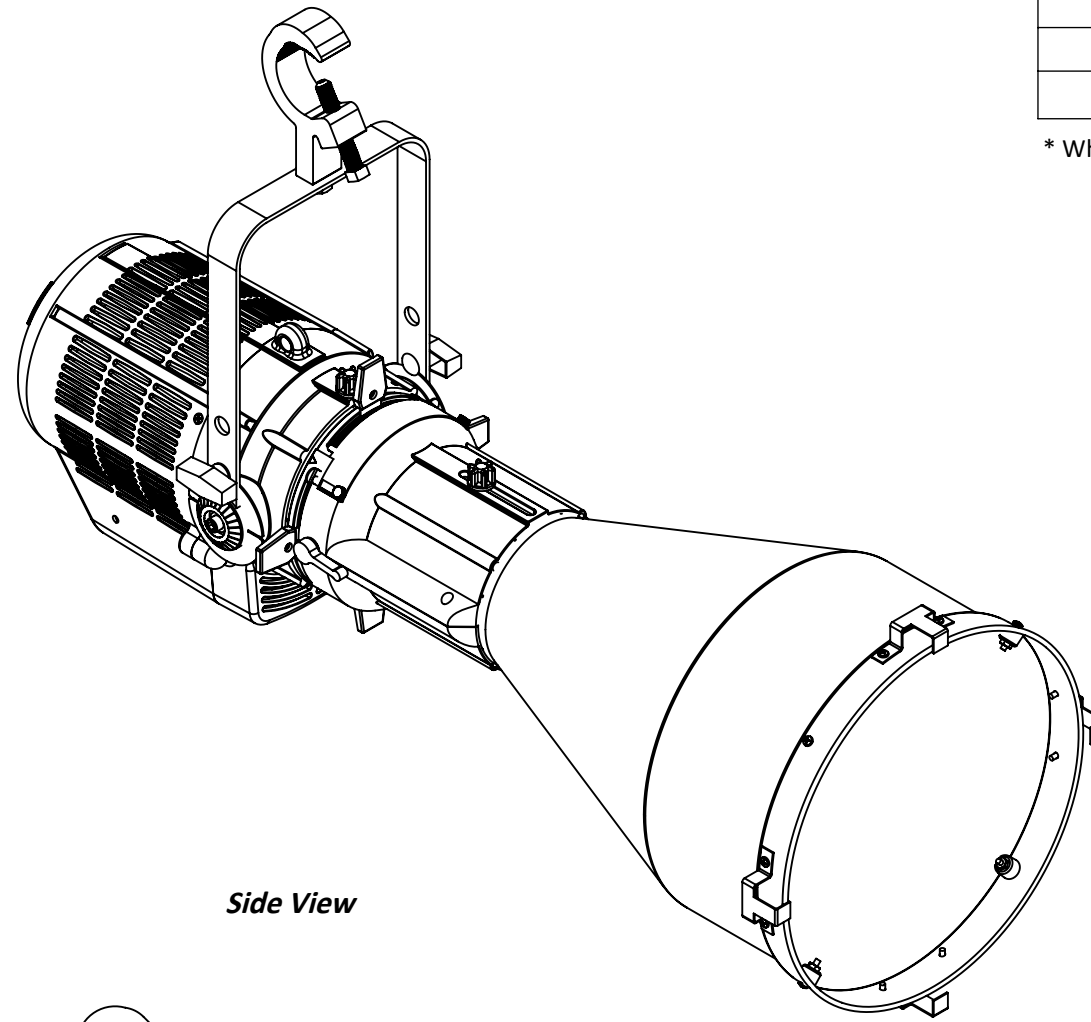


Included Items	
Part Numbers	Descriptions
12-CFB	Color Frame 14" X 14"
SC-36-BK	Safety Chain- 1/8" Dia X 36"
PCL-PBG-12-5	5' 20A PowerCON from Parallel
PHX-SFLGSA	PHX Soft Focus Lens

* Note: 515 or 510 C-Clamp are sold separately

PHX3.5 with 5Degree Lens Part Numbers	
Part Numbers	Descriptions
PHX3.5-RGBL-5-*	5° PHX 350W LED RGBL

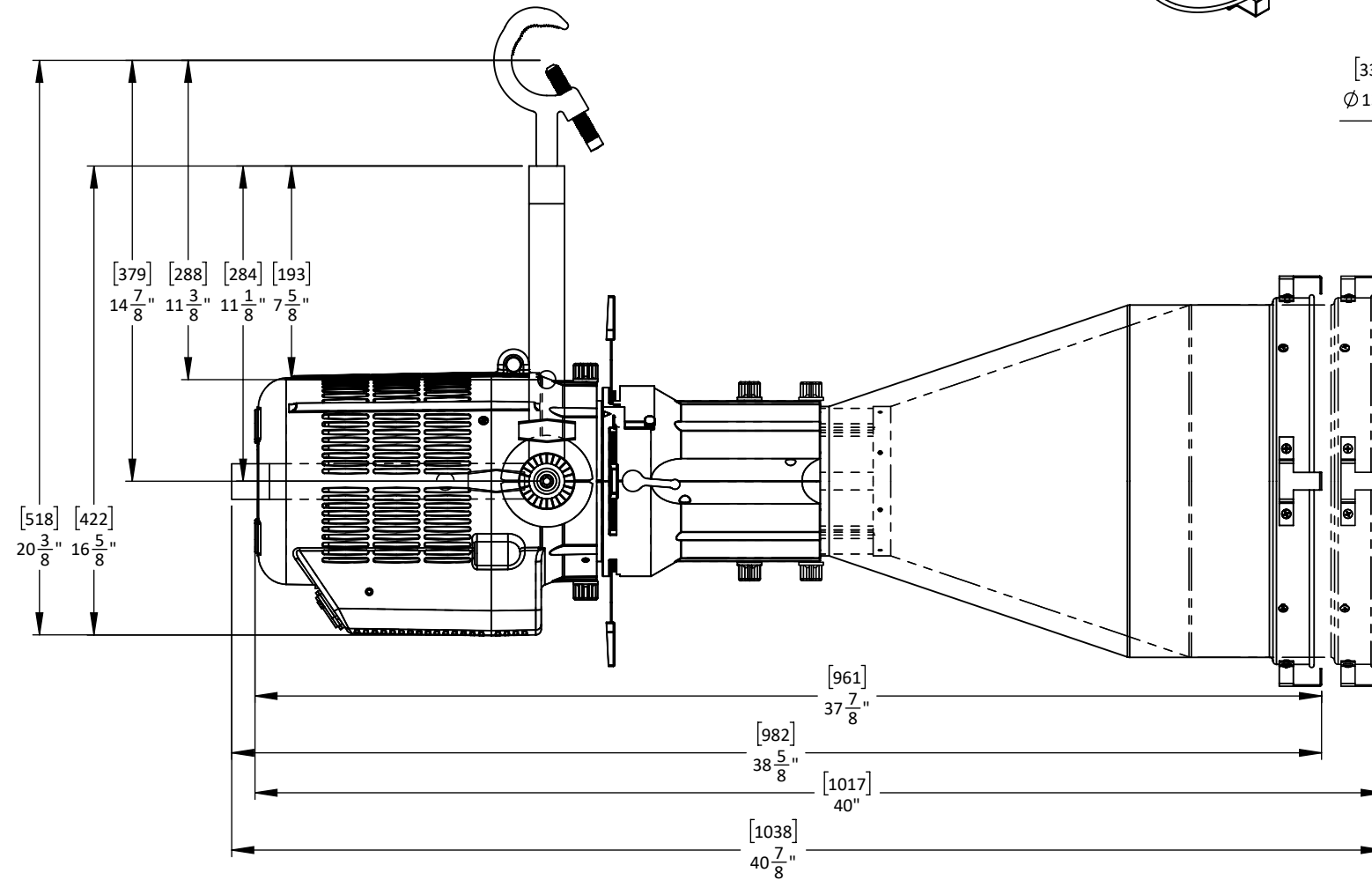
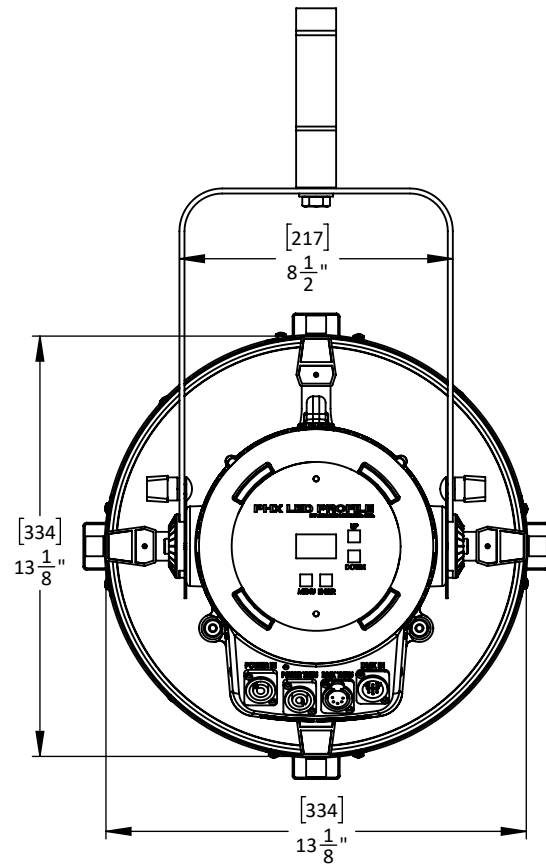
* When Ordering you will use B (Black), W (White) or C (Custom)



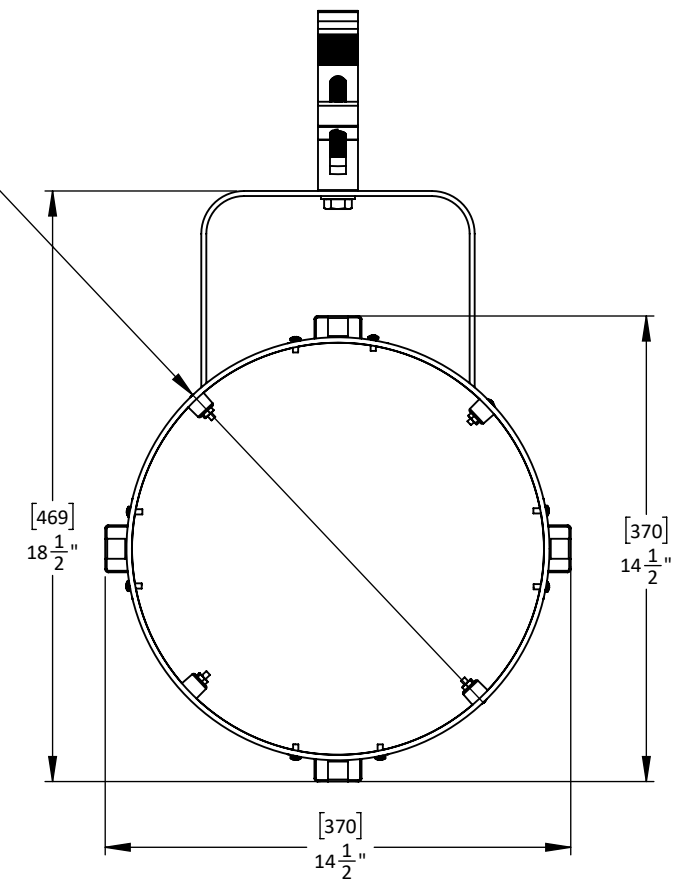
Rear View

Side View

Front View



[336]
Ø 13 1/4"



ALTMAN
LIGHTING
1400 East 66th Avenue.
Denver, CO 80229
www.AltmanLighting.com
+1-303-500-7072

PART NO: PHX3.5-RGBL-5-
DRAWN BY: MP
DATE: 2/19/2024
SCALE: 1:6

PRODUCT: PHX 3.5 Profile
with 5 Degree Lens

REV: DATE: NOTE: