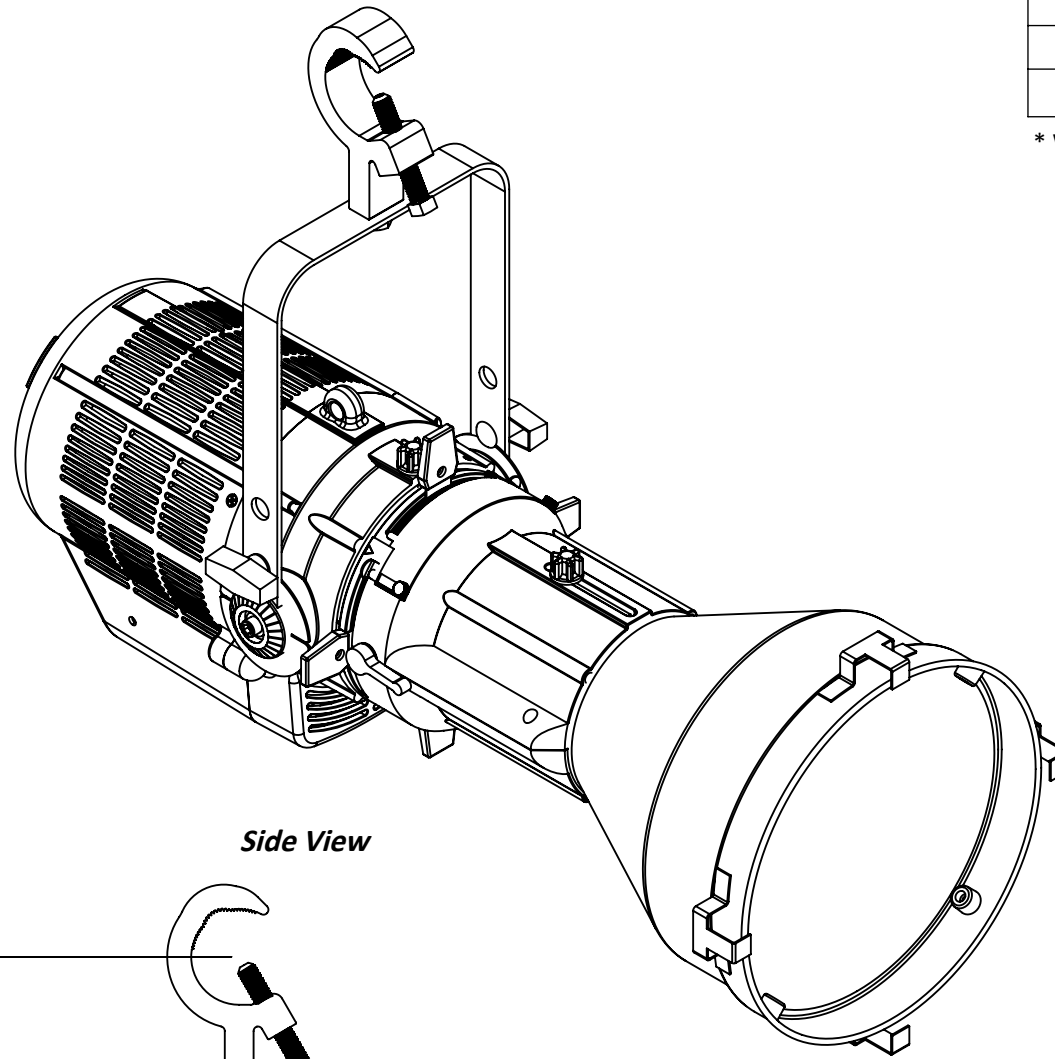


Included Items	
Part Numbers	Descriptions
10-CFB	Color Frame 12" X 12" Black
SC-36-BK	Safety Chain- 1/8" Dia X 36"
PCL-PBG-12-5	5' 20A PowerCON from Parallel
PHX-SFLGSA	PHX Soft Focus Lens

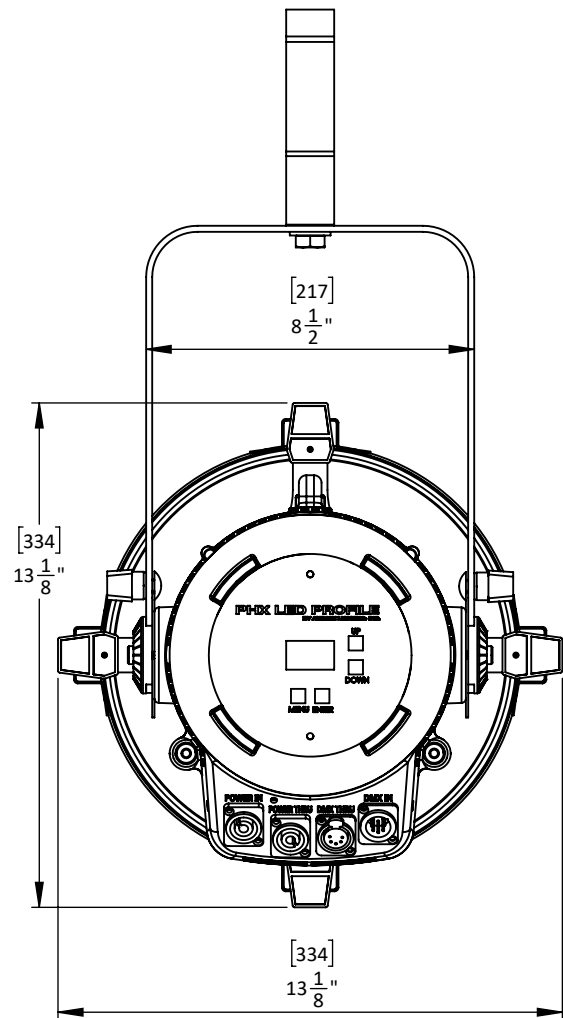
* Note: 515 or 510 C-Clamp are sold separately

PRODUCT Part Numbers	
Part Numbers	Descriptions
PHX3.5-RGBL-10-*	10° PHX 350W LED RGBL

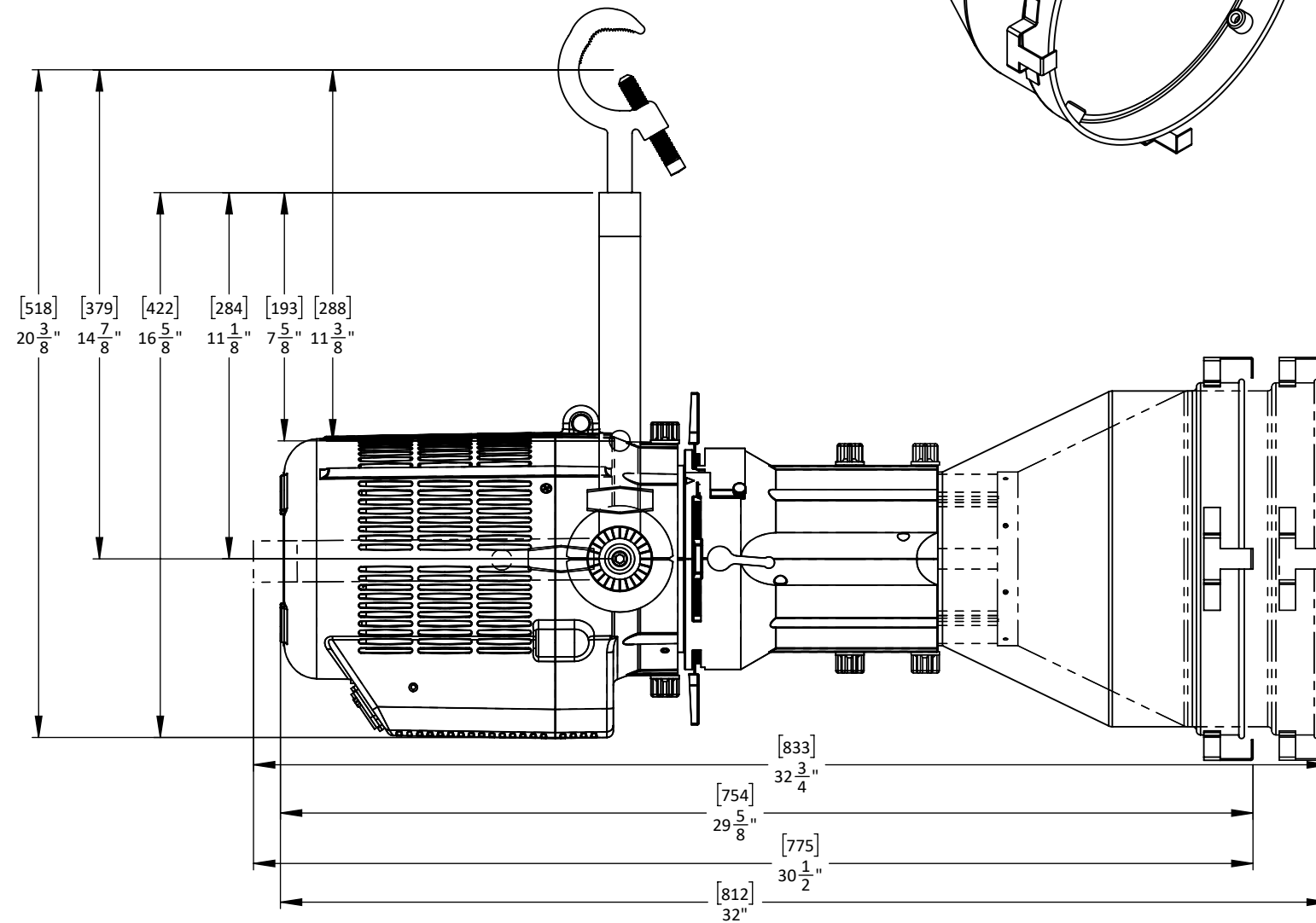
* When Ordering you will use B (Black), W (White) or C (Custom)



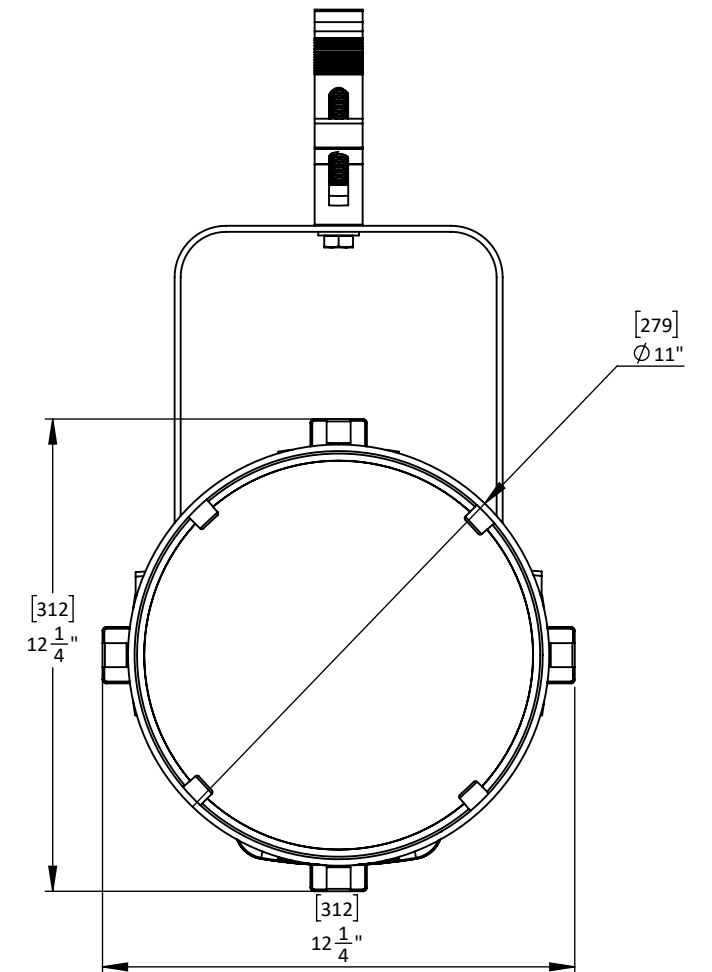
Rear View



Side View



Front View



ALTMAN
LIGHTING
1400 East 66th Avenue.
Denver, CO 80229
www.AltmanLighting.com
+1-303-500-7072

PART NO: PHX3.5-RGBL-10-
DRAWN BY: MP
DATE: 2/23/2024
SCALE: 1:5

PRODUCT: PHX 3.5 Profile
with 10 Degree Lens

REV:	DATE:	NOTE: