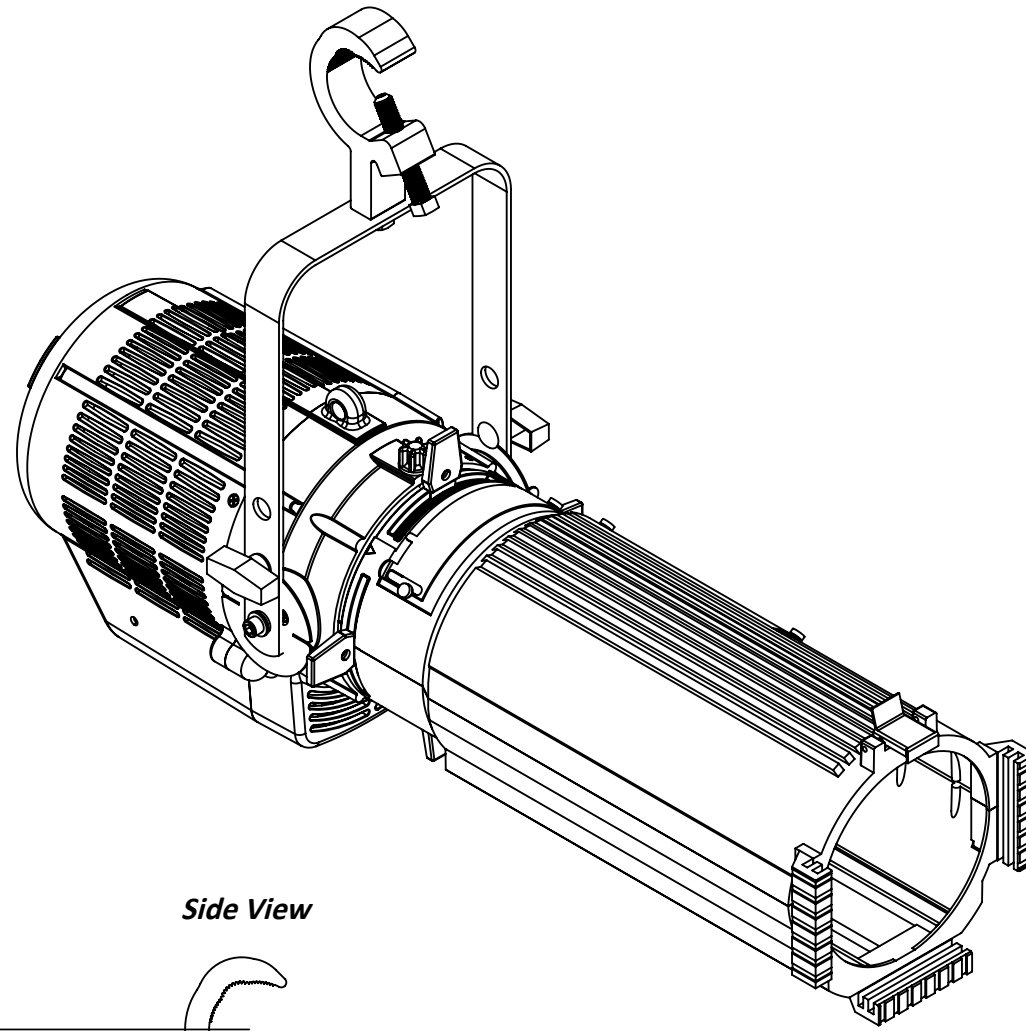


Included Items	
Part Numbers	Descriptions
6-CFB	Color Frame 7-1/2"x7-1/2"
SC-36-BK	Safety Chain- 1/8" Dia X 36"
PCL-PBG-12-5	5' 20A PowerCON from Parallel
PHXZ-SFLGSB	PHX ZOOM Soft Focus Lens with B Size Holder

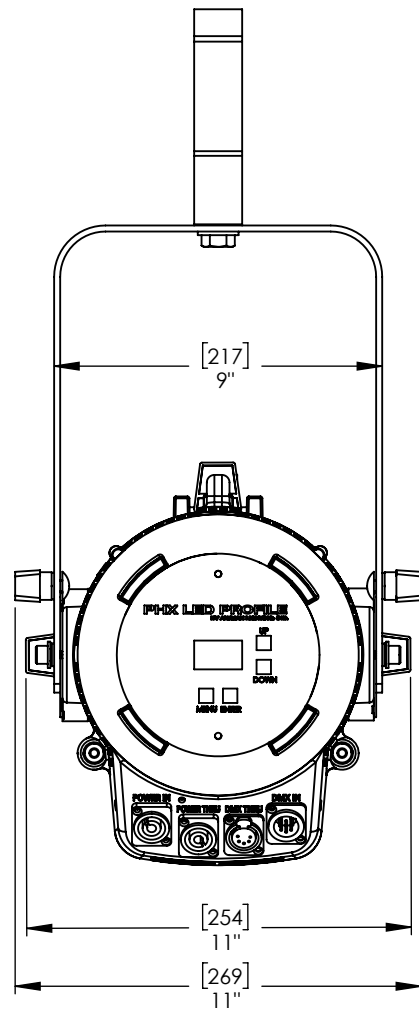
\* Note: 515 or 510 C-Clamp are sold separately

PHX3.5 Zoom Profile Part Numbers	
Part Numbers	Descriptions
PHX3.5-RGBL-15Z-*	15-35° PHX 350W LED RGBL Black

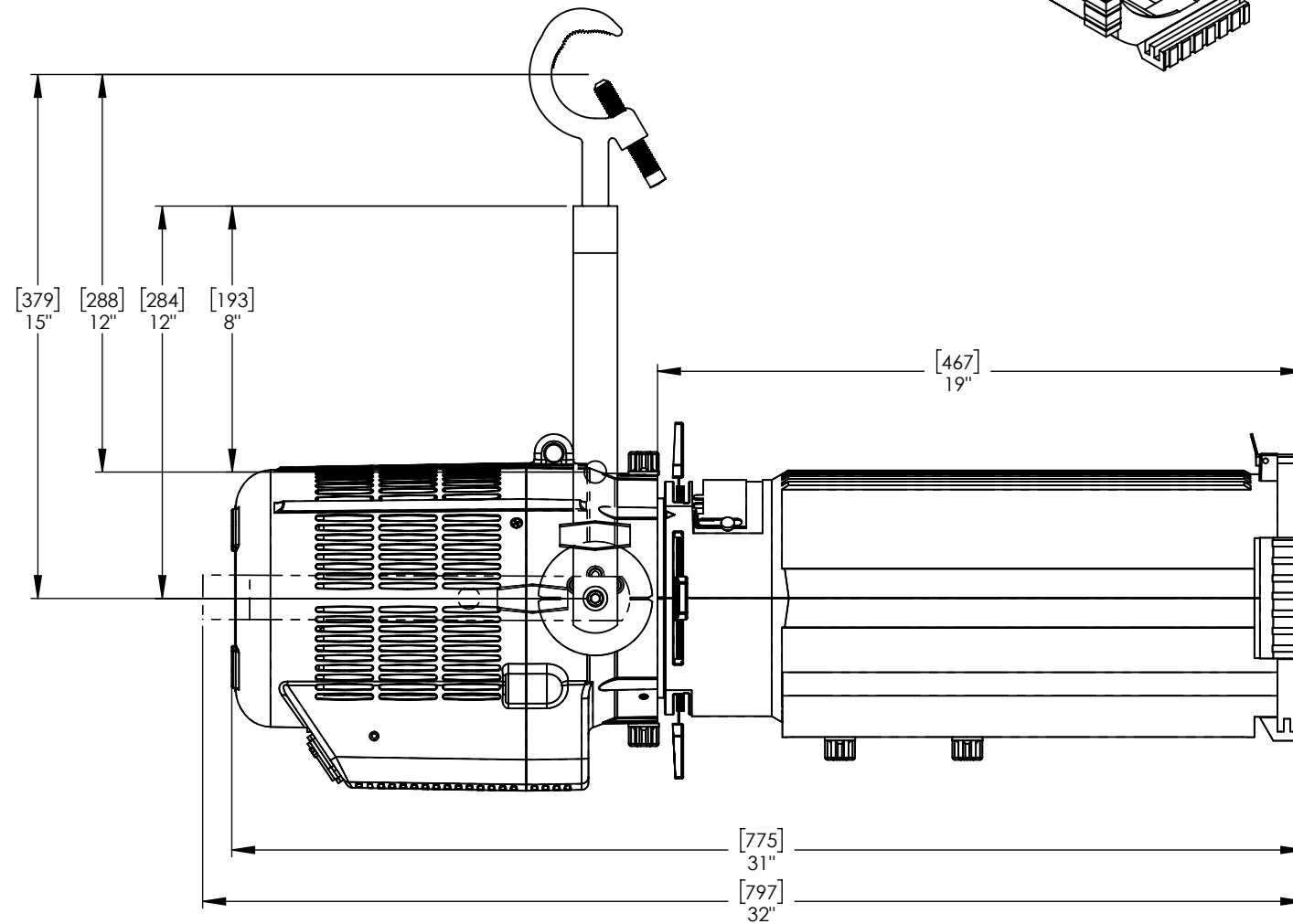
\* When Ordering you will use B (Black), W (White) or C (Custom)



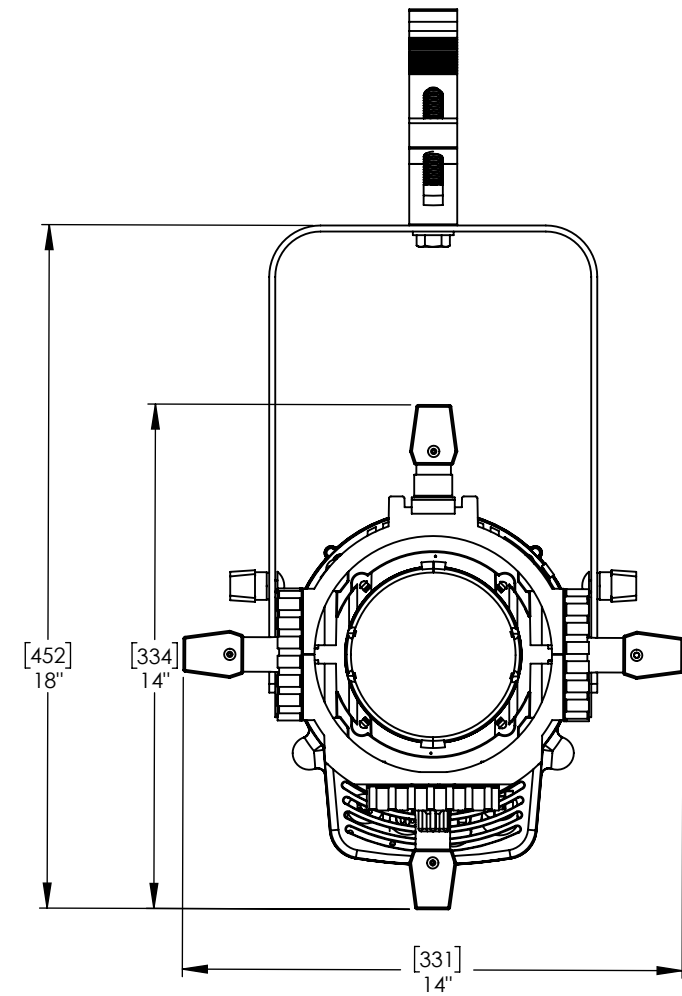
Rear View



Side View



Front View



**ALTMAN**  
LIGHTING  
1400 East 66th Avenue.  
Denver, CO 80229  
www.AltmanLighting.com  
+1-303-500-7072

PART NO: PHX3.5-RGBL-15Z-  
DRAWN BY: MP  
DATE: 3/5/2024  
SCALE: 1:5

PRODUCT: PHX 3.5 Profile  
with 15-35° Zoom Lens

NOTE:

REV: DATE: