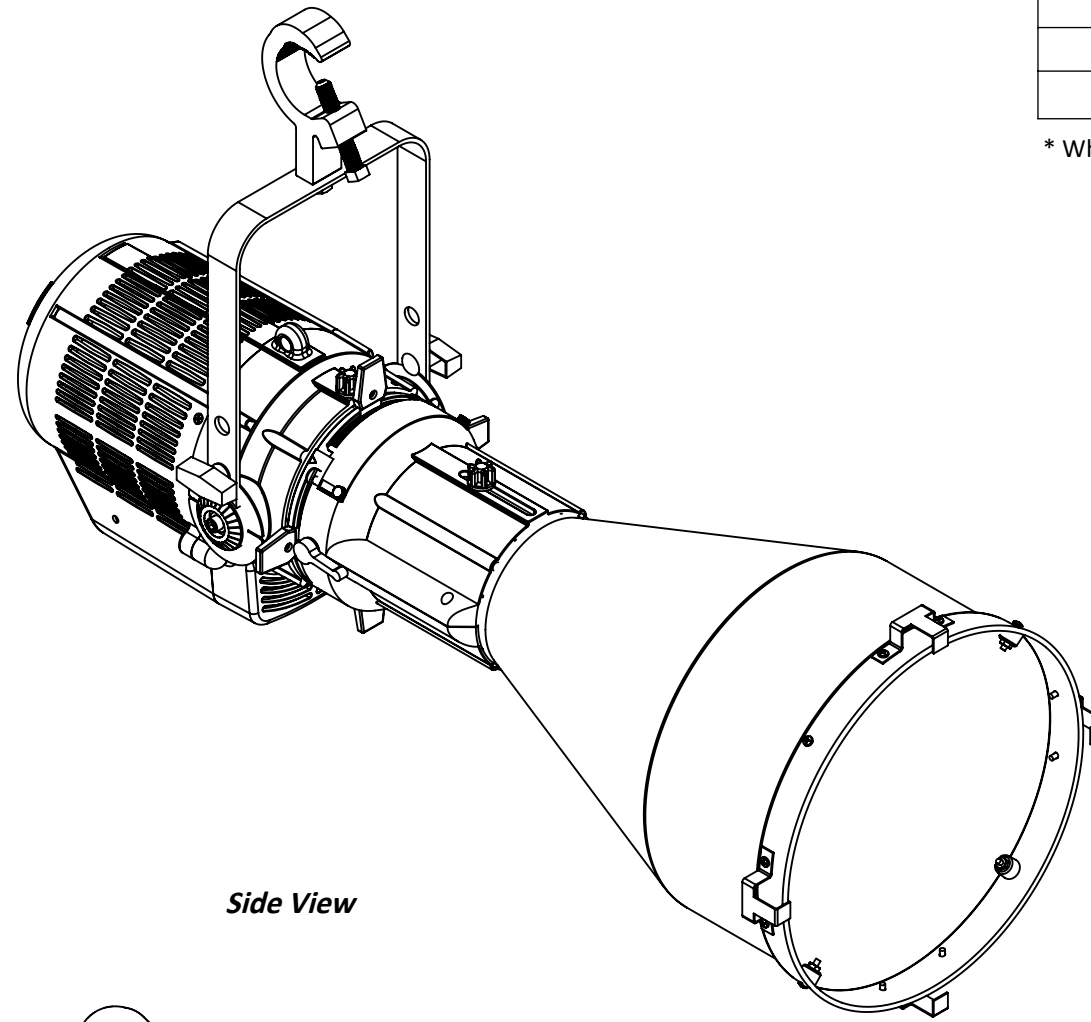


| Included Items |                               |
|----------------|-------------------------------|
| Part Numbers   | Descriptions                  |
| 12-CFB         | Color Frame 14" X 14"         |
| SC-36-BK       | Safety Chain- 1/8" Dia X 36"  |
| PCL-PBG-12-5   | 5' 20A PowerCON from Parallel |
| PHX-SFLGSA     | PHX Soft Focus Lens           |

\* Note: 515 or 510 C-Clamp are sold separately

| PHX1.5 with 5Degree Lens Part Numbers |                      |
|---------------------------------------|----------------------|
| Part Numbers                          | Descriptions         |
| PHX1.5-RGBL-5-*                       | 5° PHX 150W LED RGBL |

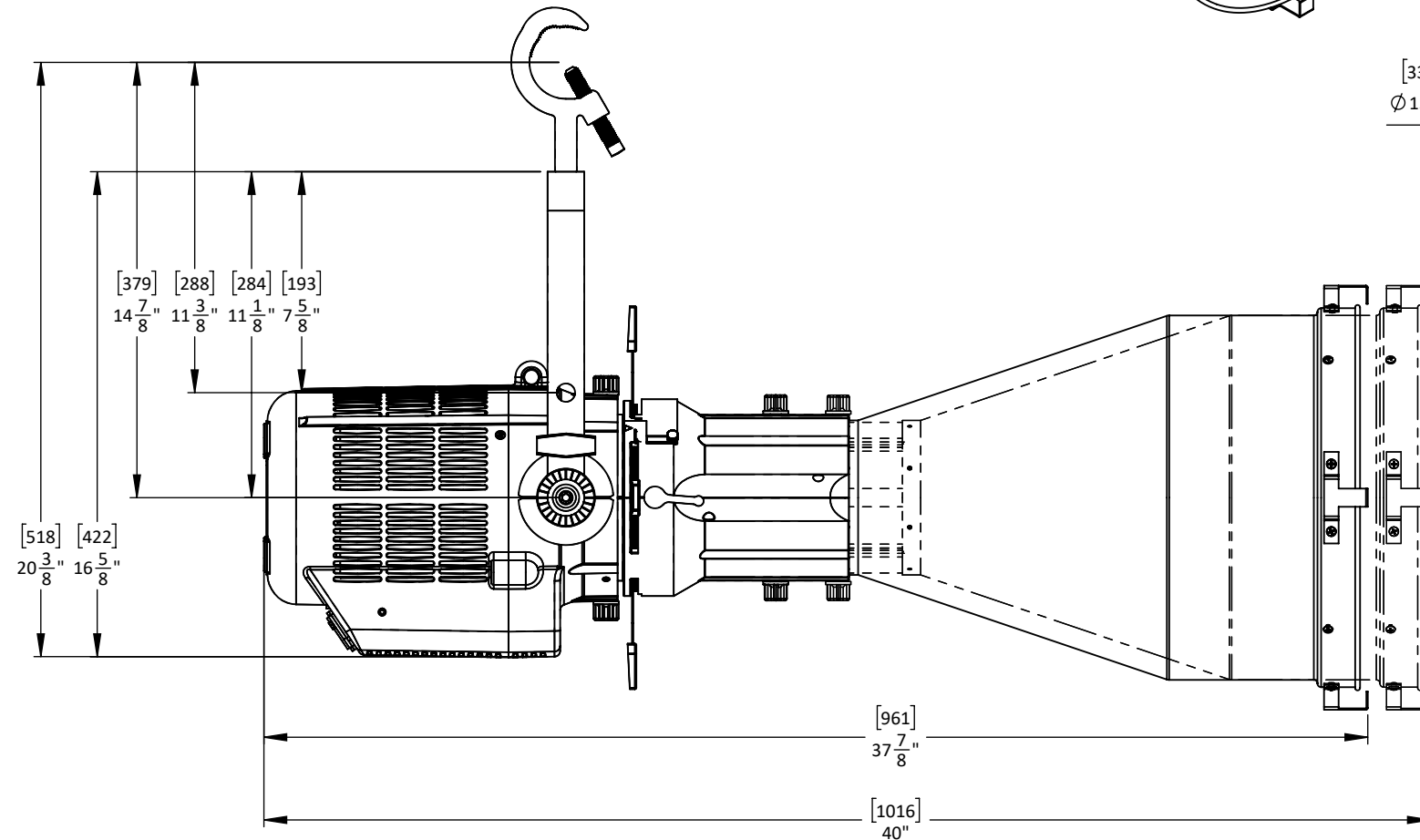
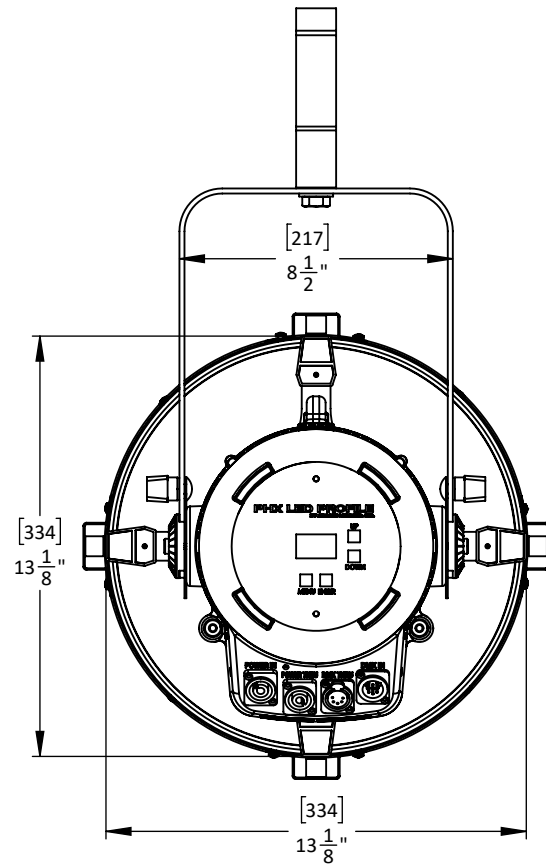
\* When Ordering you will use B (Black), W (White) or C (Custom)



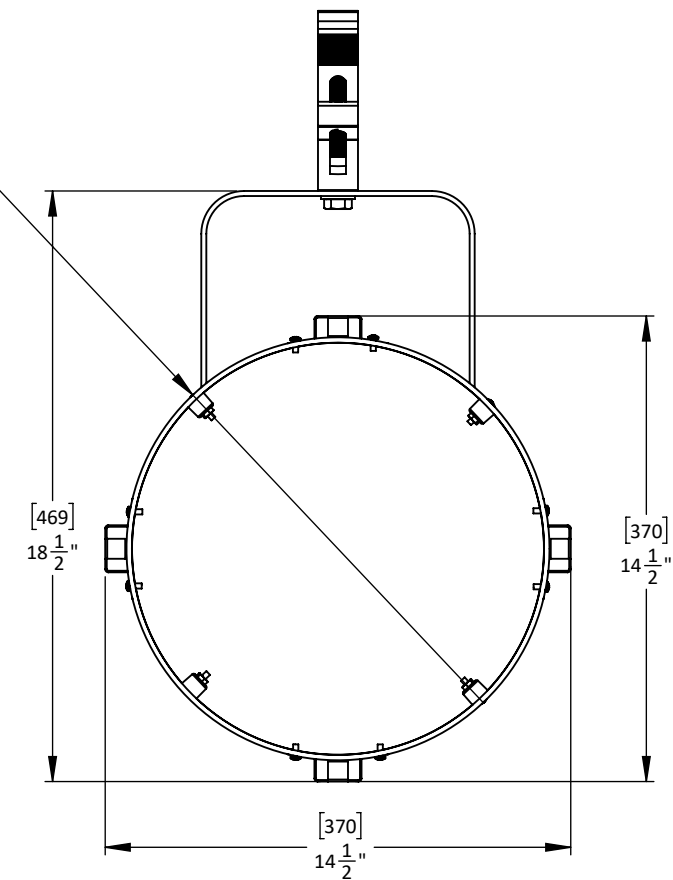
Rear View

Side View

Front View



[336]  
Ø 13 1/4"



**ALTMAN**  
LIGHTING  
1400 East 66th Avenue.  
Denver, CO 80229  
www.AltmanLighting.com  
+1-303-500-7072

PART NO: PHX1.5-RGBL-5-  
DRAWN BY: MP  
DATE: 4/9/2024  
SCALE: 1:6

PRODUCT: PHX 1.5 Profile  
with 5 Degree Lens

NOTE:

DATE:

REV: