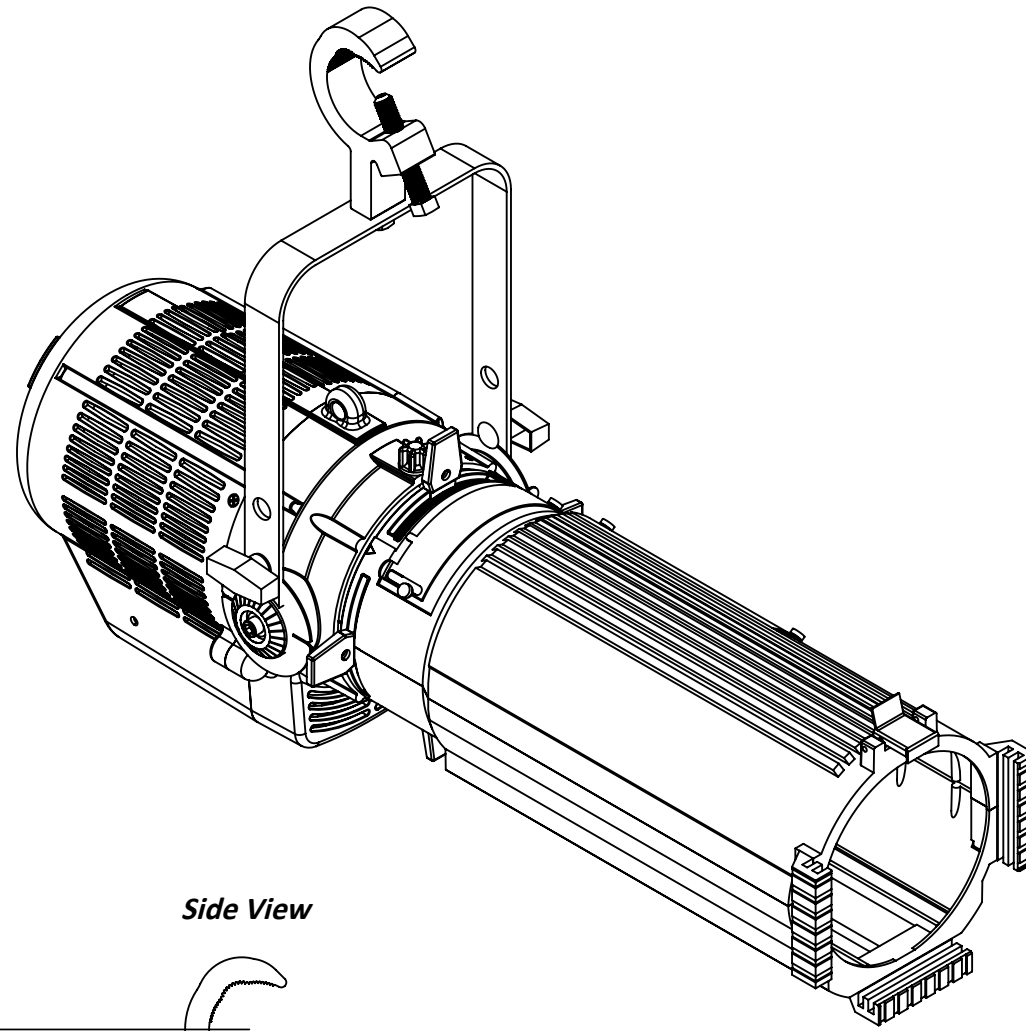


Included Items	
Part Numbers	Descriptions
6-CFB	Color Frame 7-1/2"x7-1/2"
SC-36-BK	Safety Chain- 1/8" Dia X 36"
PCL-PBG-12-5	5' 20A PowerCON from Parallel
PHXZ-SFLGSB	PHX ZOOM Soft Focus Lens with B Size Holder

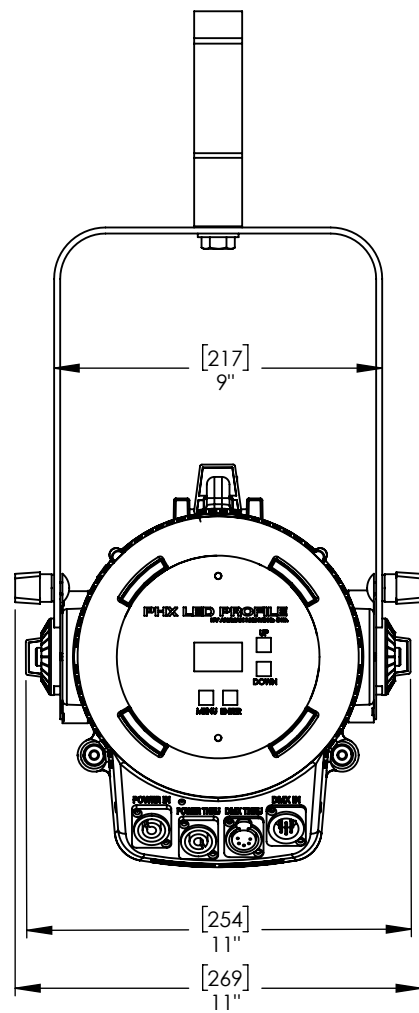
* Note: 515 or 510 C-Clamp are sold separately

PHX1.5 Zoom Profile Part Numbers	
Part Numbers	Descriptions
PHX1.5-RGBL-15Z-*	15-35° PHX 150W LED RGBL Black

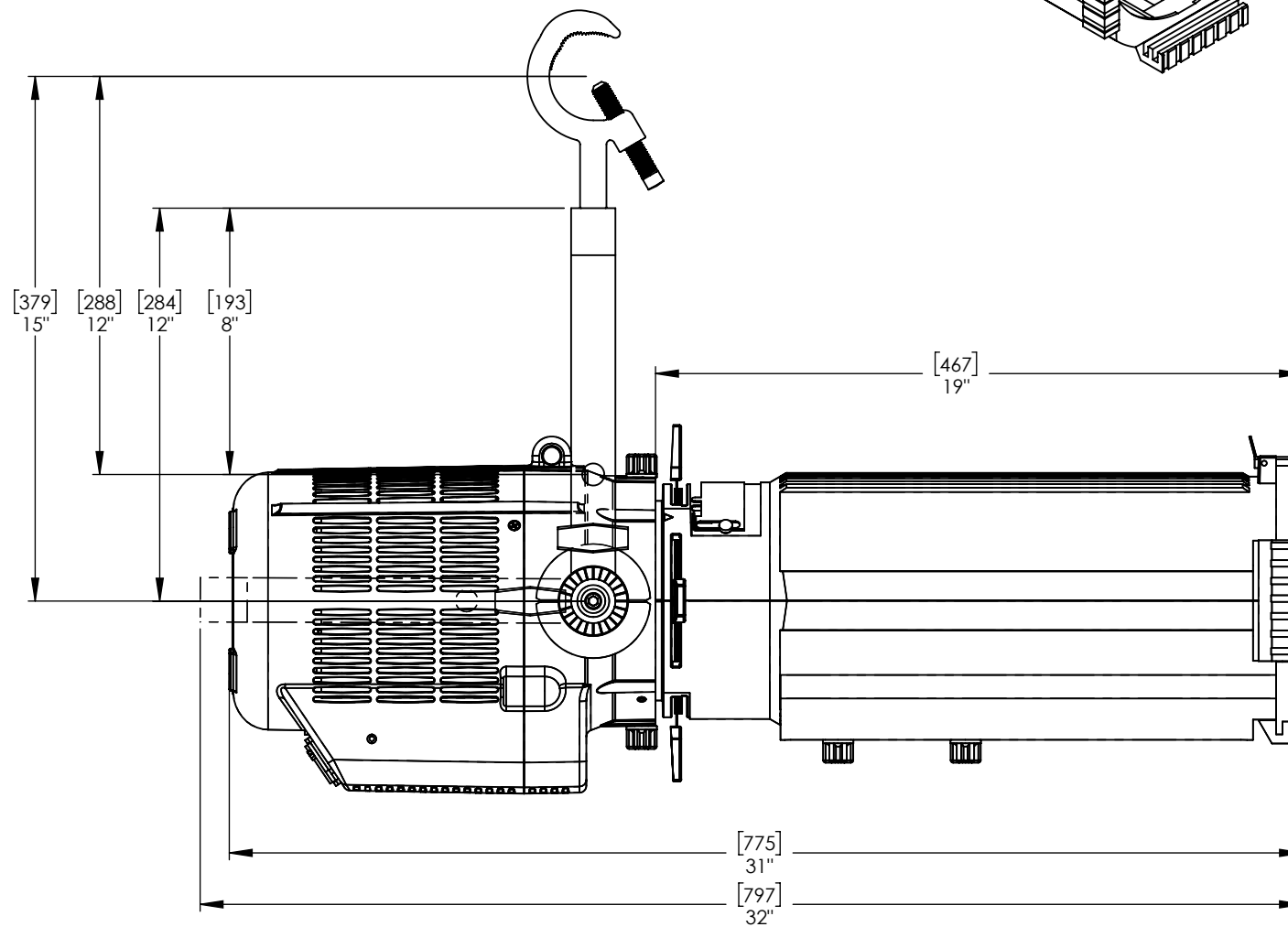
* When Ordering you will use B (Black), W (White) or C (Custom)



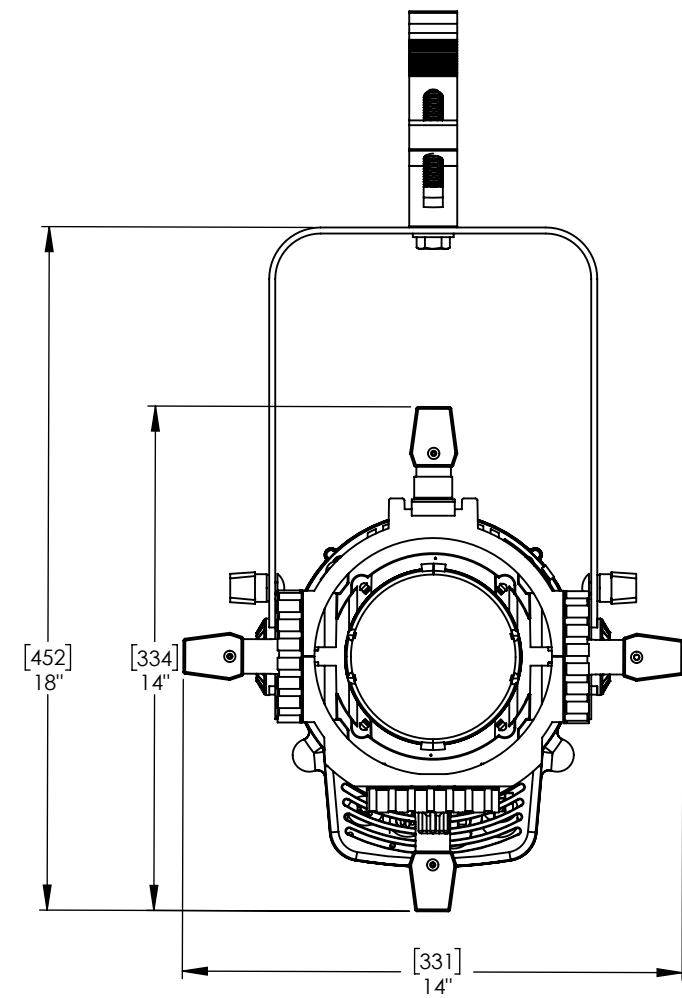
Rear View



Side View



Front View



ALTMAN
LIGHTING
1400 East 66th Avenue.
Denver, CO 80229
www.AltmanLighting.com
+1-303-500-7072

PART NO: PHX1.5-RGBL-15Z-
DRAWN BY: MP
DATE: 4/9/2024
SCALE: 1:5

PRODUCT: PHX 1.5 Profile
with 15-35° Zoom Lens

NOTE:

REV: DATE: