

# LED WORKLIGHT II



## 90W Mains Dim LED Worklight

The Altman Lighting Work Light II is the ideal solution for any space requiring a high CRI wide spectrum, dimmable work light. The small size and portability allows for placement in just about any venue. The 3000K or 5000K, 90 watt single point source allows for a true flood with soft distribution. The LED Work Light II is outfitted with on board dimming for local control or when set to full can be operated on any Phase cut or Triac dimmer.



The Work Light II can output well over 14,000 lumen's and offers a high CRI and soft, even distribution of light, when coupled with the included framed diffuser.

## Product Features

- Designed as a cost effective, high impact LED work light solution
- 3000K or 5000K white, 90 CRI
- 14,000 Lumen's (CCT dependent)
- Stippled reflector providing even light distribution
- Black, White or Custom finishes available
- Uniform white light distribution
- Weight: 11 lbs. (4.98 kg)
- Convection cooled, no fans
- cETLus listed, IP20 rated for indoor use only
- Proudly Made in the USA
- On Board local dim control
- Mains Dim Compatible: 120VAC 60Hz Only
- Local Dim: 100-277VAC 50/60Hz
- Option for PowerCON™ in and out for daisy-chaining units or a Flying Lead with 6ft Power Cable attached
- PowerCon version can have up to 14 fixtures (20A Max) may be linked
- Includes safety cable, color frame with diffusing gel
- Five (5) year and one (1) day warranty
- No cost technical support for the life of your product

# LED WORKLIGHT II

## 90W Mains Dim LED Worklight

### Photometric

#### Worklight II 3000K - With No Diffuser

Output Setting	Beam Angle		Candela		Beam Lumens		
Full On	52°		16671		10601		
Throw Distance	10ft (3.05m)	15ft (4.57m)	20ft (6.10m)	25ft (7.62m)	30ft (9.14m)	35ft (10.66m)	40ft (12.19m)
Beam Diameter	9.3ft (2.8m)	14.0ft (4.2m)	18.7ft (5.7m)	23.4ft (7.1m)	28.0ft (8.5m)	32.7ft (9.7m)	37.4ft (11.4m)
Illuminance (fc) at Full On	41	18	10	7	5	3	3
Illuminance (lux) at Full On	438	195	109	70	49	36	27

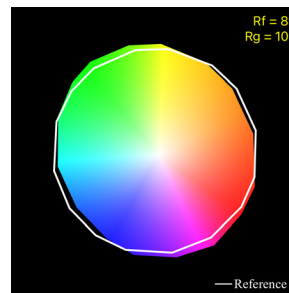
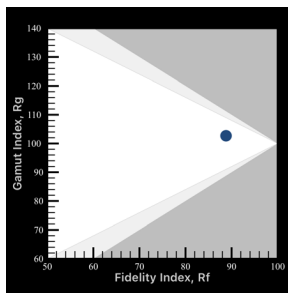
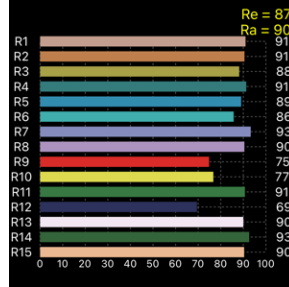
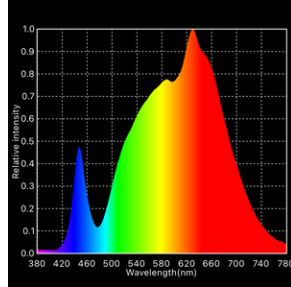
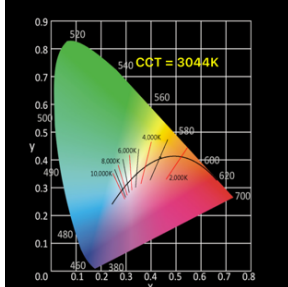
Note: To Calculate the Beam Diameter in feet, Multiply any distance by 0.935

#### Worklight II 3000K - With Diffuser

Output Setting	Beam Angle		Candela		Beam Lumens		
Full On	52°		14554		9255		
Throw Distance	10ft (3.05m)	15ft (4.57m)	20ft (6.10m)	25ft (7.62m)	30ft (9.14m)	35ft (10.66m)	40ft (12.19m)
Beam Diameter	9.3ft (2.8m)	14.0ft (4.2m)	18.7ft (5.7m)	23.4ft (7.1m)	28.0ft (8.5m)	32.7ft (9.7m)	37.4ft (11.4m)
Illuminance (fc) at Full On	38	17	9	6	4	3	2
Illuminance (lux) at Full On	408	181	102	65	45	33	25

Note: To Calculate the Beam Diameter in feet, Multiply any distance by 0.935

Worklight II 3000K - Photometric Score Card - Native Output						
CCT	DUV	CRI(Ra)	CQS	TLCI(Qa)	TM-30-15 Rf	TM-30-15 Rg
3044 K	0.0019	90	89	88.2	89	103



# LED WORKLIGHT II

## 90W Mains Dim LED Worklight

### Photometric

#### Worklight II 5000K - With No Diffuser

Output Setting	Beam Angle		Candela		Beam Lumens		
Full On	52°		22348		14211		
Throw Distance	10ft (3.05m)	15ft (4.57m)	20ft (6.10m)	25ft (7.62m)	30ft (9.14m)	35ft (10.66m)	40ft (12.19m)
Beam Diameter	9.3ft (2.8m)	14.0ft (4.2m)	18.7ft (5.7m)	23.4ft (7.1m)	28.0ft (8.5m)	32.7ft (9.7m)	37.4ft (11.4m)
Illuminance (fc) at Full On	50	22	12	8	6	4	3
Illuminance (lux) at Full On	533	237	133	85	59	44	33

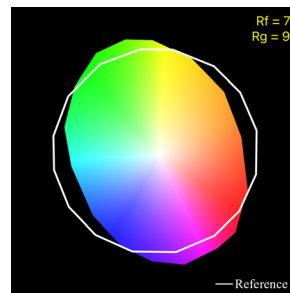
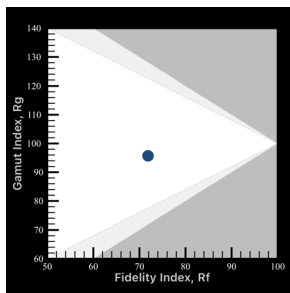
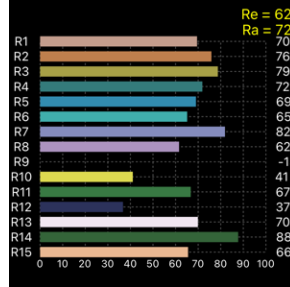
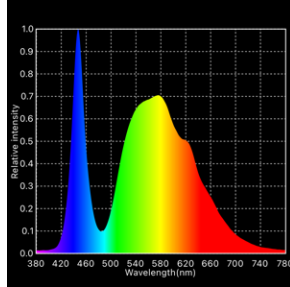
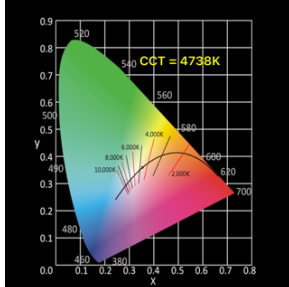
Note: To Calculate the Beam Diameter in feet, Multiply any distance by 0.935

#### Worklight II 5000K - With Diffuser

Output Setting	Beam Angle		Candela		Beam Lumens		
Full On	52°		19130		12165		
Throw Distance	10ft (3.05m)	15ft (4.57m)	20ft (6.10m)	25ft (7.62m)	30ft (9.14m)	35ft (10.66m)	40ft (12.19m)
Beam Diameter	9.3ft (2.8m)	14.0ft (4.2m)	18.7ft (5.7m)	23.4ft (7.1m)	28.0ft (8.5m)	32.7ft (9.7m)	37.4ft (11.4m)
Illuminance (fc) at Full On	49	22	12	8	5	4	3
Illuminance (lux) at Full On	525	233	131	84	58	43	33

Note: To Calculate the Beam Diameter in feet, Multiply any distance by 0.935

Worklight II 5000K - Photometric Score Card - Native Output						
CCT	DUV	CRI(Ra)	CQS	TLCI(Qa)	TM-30-15 Rf	TM-30-15 Rg
4738K	0.0011	72	71	47.5	72	96

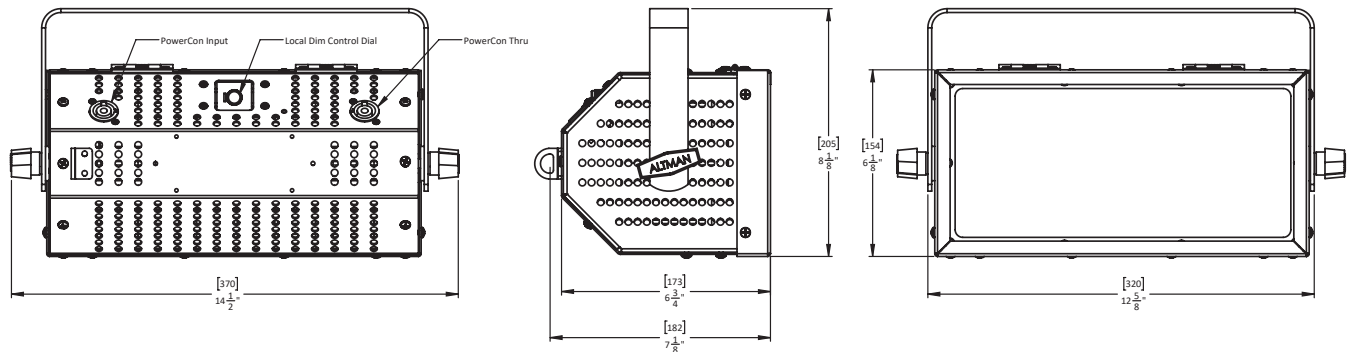


# LED WORKLIGHT II

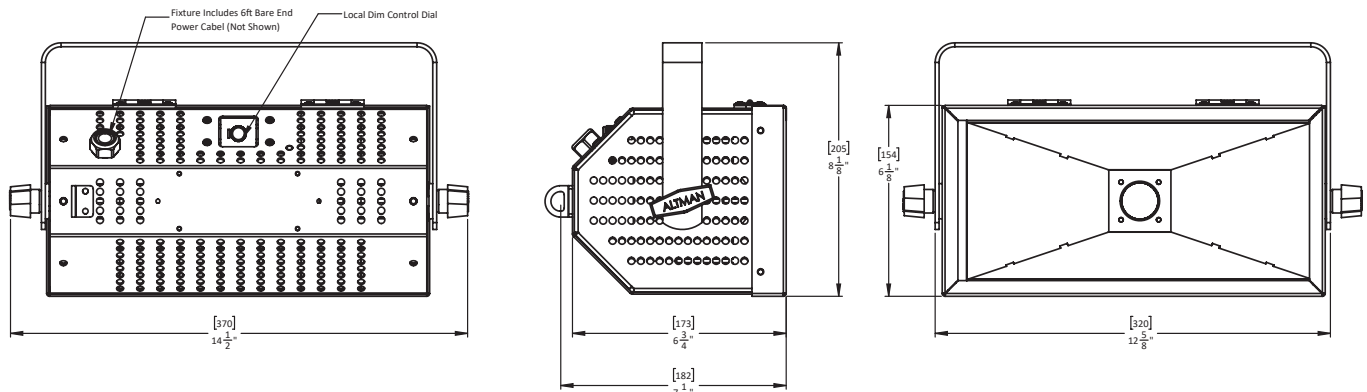


90W Mains Dim LED Worklight

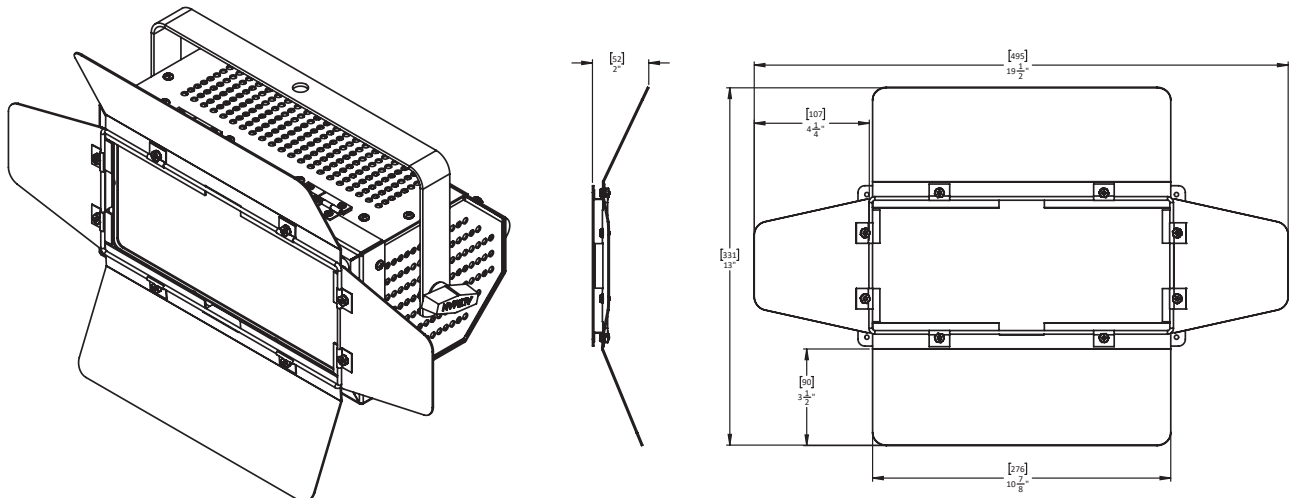
## Worklight II with PowerCon Connection Dimensions



## Worklight II with 6ft Flying Lead Dimensions



## Worklight II Barndoor



# LED WORKLIGHT II



## 90W Mains Dim LED Worklight

### Specifications

#### LED Source

LED	90W LED Single Source COB - Available in 3000K, or 5000K
Max Power Consumption	90 Watts
LED Refresh Rate	Array rating >50,000 hours to L70

#### Control

Dimmer:	Phase Cut or Triac Dimmer, or Constant power with on board local fader control.
Dimming Notes:	<p>The WL-90 is designed as a set it and forget it luminaire that employs a local dim. Control and mains dim compatible power supply. When running on Mains Dim power (120VAC 60Hz) please make sure that the local dim control is set to full.</p> <p>The Work Light II employs dimming technology that is compatible with many dimmer types, The overall performance of the mains dim. Functionality is based upon the dimmer type and its resolution. The WL II has been designed as a "set it and forget it" luminaire and has a lower dimming resolution than that of our performance mains dim. products. When both the WLII and the Altman Pegasus or Chalice are connected to the same dimmer or type they will display dissimilar dimming curves.</p>

#### Electrical

Input Voltage Range:	Mains Dim: 120VAC 60HZ Local: 100-277VAC 50/60HZ
Input Connection:	PowerCon In and Through Flying Lead - 6ft Power Cable
Wattage:	90 watts
Max Daisy Chain:	Up to 14 Units at 120VAC* Up to 16 units at 230 VAC* * Recommended Power linking of units via Powercon connection.
Current Draw	0.75A at 120VAC / .39A at 230VAC

#### Thermal

Ambient Operating Temp:	0 - 40°C (32 - 104°F) with humidity of 5-95% non-condensing)
Fan:	Convection Cool, passive
BTUs/Hour:	307.08 BTUs / Hour

#### Construction

Materials:	Corrosion-resistant materials and hardware
Color Options:	Black, White or Custom
Mounting:	Yoke
IP Rating:	IP20
Country of Origin:	USA

#### Warranty

Fixture:	5 Years and 1 Day.
----------	--------------------

#### Compliance

Compliance:	cETLus listed for indoor use
-------------	------------------------------



# LED WORKLIGHT II



## 90W Mains Dim LED Worklight

### Ordering Information

#### Models

Model:	LED Array:	LED: *	Dimmer:	Body Color: **	Flying Lead:
WL - Worklight	90 - 90Watt	3K - 3000K LED 5K - 5000K LED	M - Mains Dim	B - Black W - White C - Custom	*Blank* - PowerCon Connection FL - Flying Lead6ft Power Cable

Note: When ordering the fixture simply select an option from each column and that will produce your ordering part number.

Example - For the Worklight II Unit with an 3K LED Array in Black, the part number would be WL-90-3K-M-B

\* Color: Fixture ship standard as Black. If White or Custom are required that could result in a longer lead time. Custom Color: Consult factory for custom colors

#### Included Items

WL-90-*-M-**	5' 20A PowerCON to Male Edison Cable (PCL-PBG-12-5), 36" Safety Chain (SC-36-BK), Worklight Diffusion Frame (70-3259-*)
WL-90-*-M**-FL	6ft 18/3 Power Cable to Bare End (Cable Attached) , 36" Safety Chain (SC-36-BK), Worklight Diffusion Frame (70-3259-*)

#### Accessories

Model:	Description:
510	Malleable Iron Clamp
515	Extruded Aluminum C-Clamp
SC-36-BK	36-Inch Black Safety Cable with Spring Clip
WL-BD-*	Work Light Barn Doors

Note: There are many aftermarket accessories for Altman Lighting products available through third-party suppliers. When considering these aftermarket accessories, we suggest that you consult with your Altman Regional Sales Manager beforehand regarding capability and effects on product performance.

#### Power Input Cables

Model:	Connector Type:	Wire Size:	Length:
PCL - PowerCON Blue	BARE - Bare End Cable 2P&G - Stage Pin Male PBG - Edison Male TLG - L5-20 Twist Lock Male	12	5 - 5ft 10 - 10ft 25 - 25ft

Note: When ordering the PowerCON Cable simply select an option from each column and that will produce your ordering part number.

#### Power Feed Through Jumper Cables

Model:	Wire Size:	Length:
PCTJ - PowerCON Blue to PowerCon Grey	12	5 - 5ft 10 - 10ft 15 - 15ft 25 - 25ft

Note: When ordering the PowerCON Feed Thru Jumper Cable simply select an option from each column and that will produce your ordering part number.