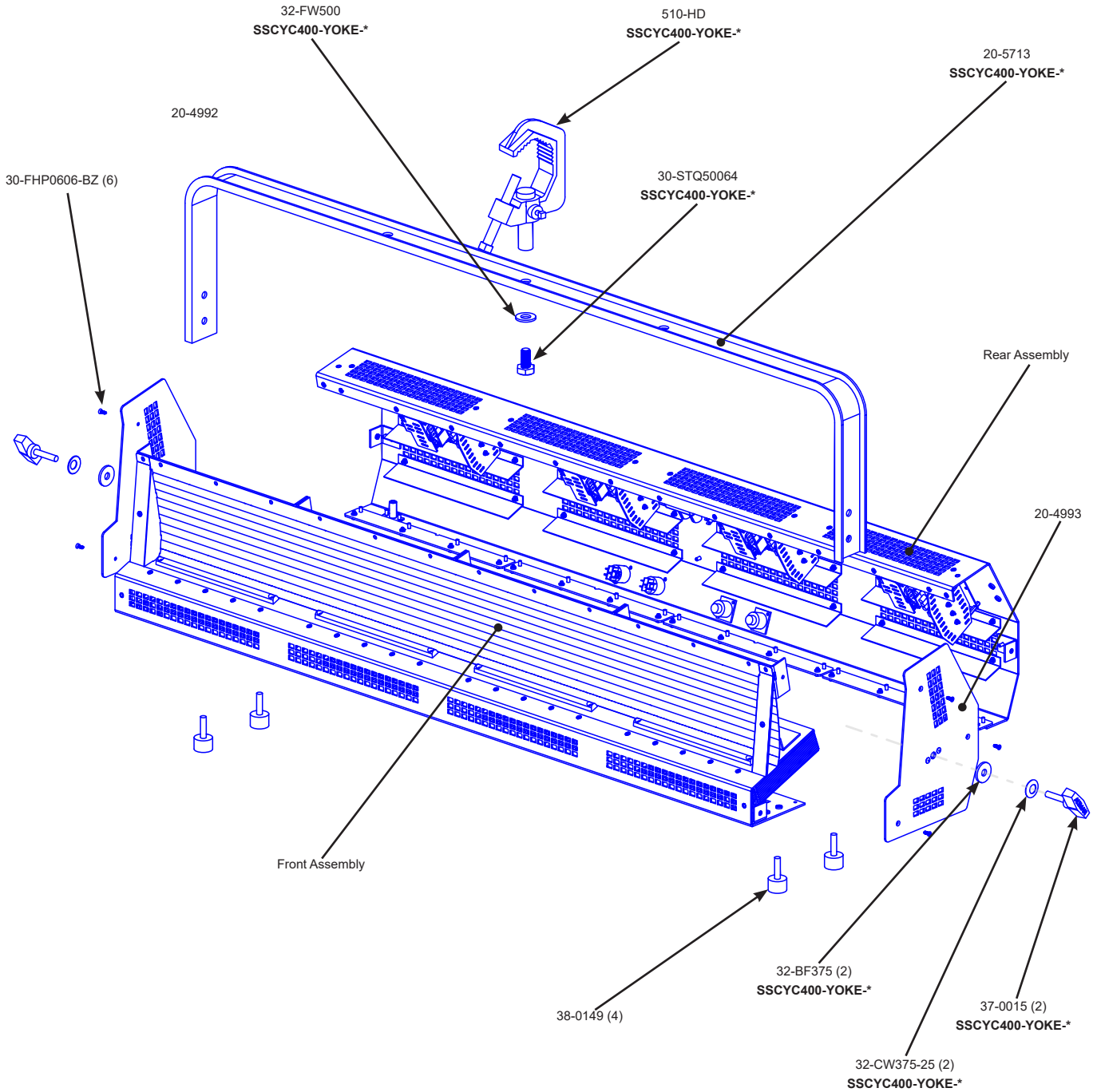


# Spectra CYC 400 Main Assembly

Color Code ● = Object ● = MFG, Number Not For Sale ● = Obsolete ● = Part Number/ Note **BOLD> = Sub Assembly**



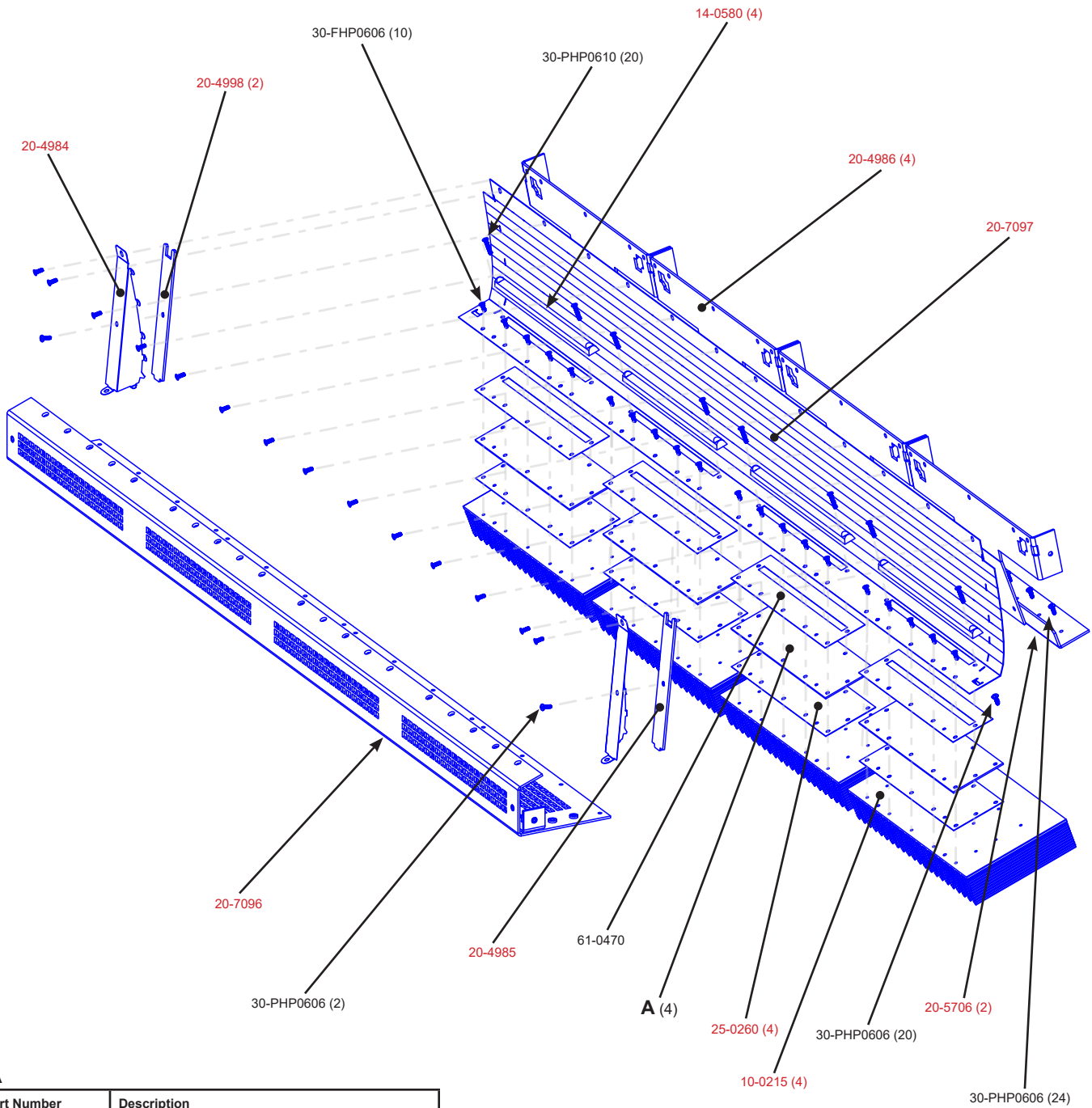
Note: The "SSCYC400-YOKE-\*" is Sold Separately

# ALTMAN

Altman Lighting Co Inc.  
 57 Alexander ST, Yonkers NY, 10701  
 Ph: (914) 476-7987 Fax (914) 963-7304  
<https://www.altmanlighting.com>

# Spectra CYC 400 Front Assembly

Color Code ● = Object ● = MFG, Number Not For Sale ● = Obsolete ● = Part Number/ Note **BOLD** = Sub Assembly



**A**

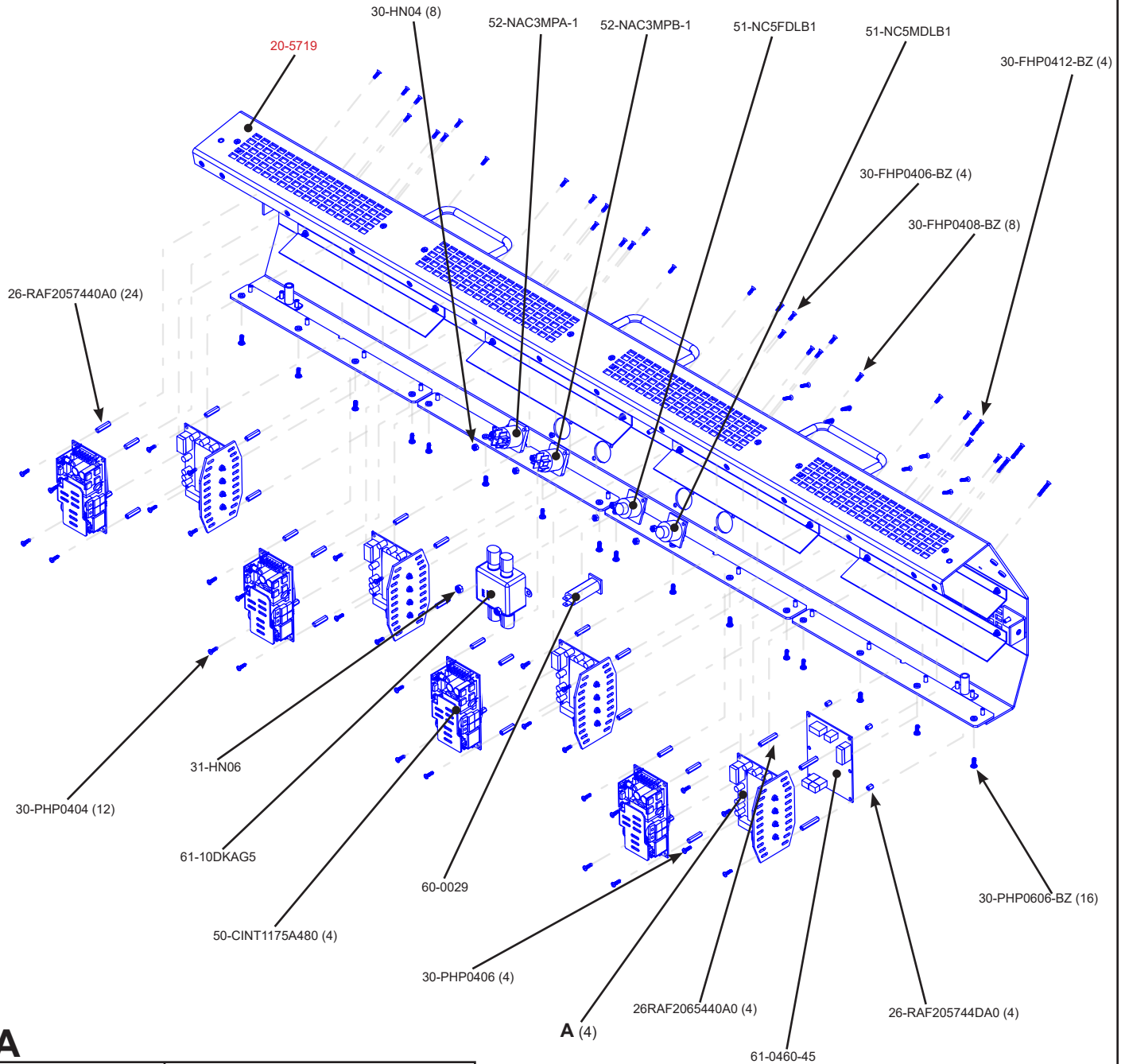
| Part Number | Description                    |
|-------------|--------------------------------|
| 61-0455-25  | LED Board for RGBA Fixture     |
| 61-0455-30  | LED Board for RGBW Fixture     |
| 61-0455-40  | LED Board for 6K Fixture       |
| 61-0455-50  | LED Board for 3K to 6K Fixture |
| 61-0621-25  | LED Board for UV Fixture       |

# ALTMAN

Altman Lighting Co Inc.  
 57 Alexander ST, Yonkers NY, 10701  
 Ph: (914) 476-7987 Fax (914) 963-7304  
<https://www.altmanlighting.com>

# Spectra CYC 400 Rear Assembly

Color Code ● = Object ● = MFG, Number Not For Sale ● = Obsolete ● = Part Number/ Note **BOLD** = Sub Assembly



**A**

| Part Number | Description                           |
|-------------|---------------------------------------|
| 61-0465-45  | LED Driver Board PCB RGBA/ RGBW       |
| 61-0510     | LED Driver for 3k, 6K and UV Fixtures |

# ALTMAN

Altman Lighting Co Inc.  
 57 Alexander ST, Yonkers NY, 10701  
 Ph: (914) 476-7987 Fax (914) 963-7304  
<https://www.altmanlighting.com>